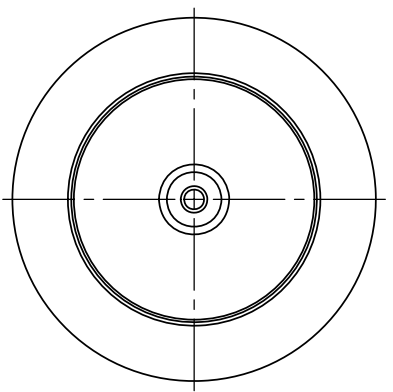
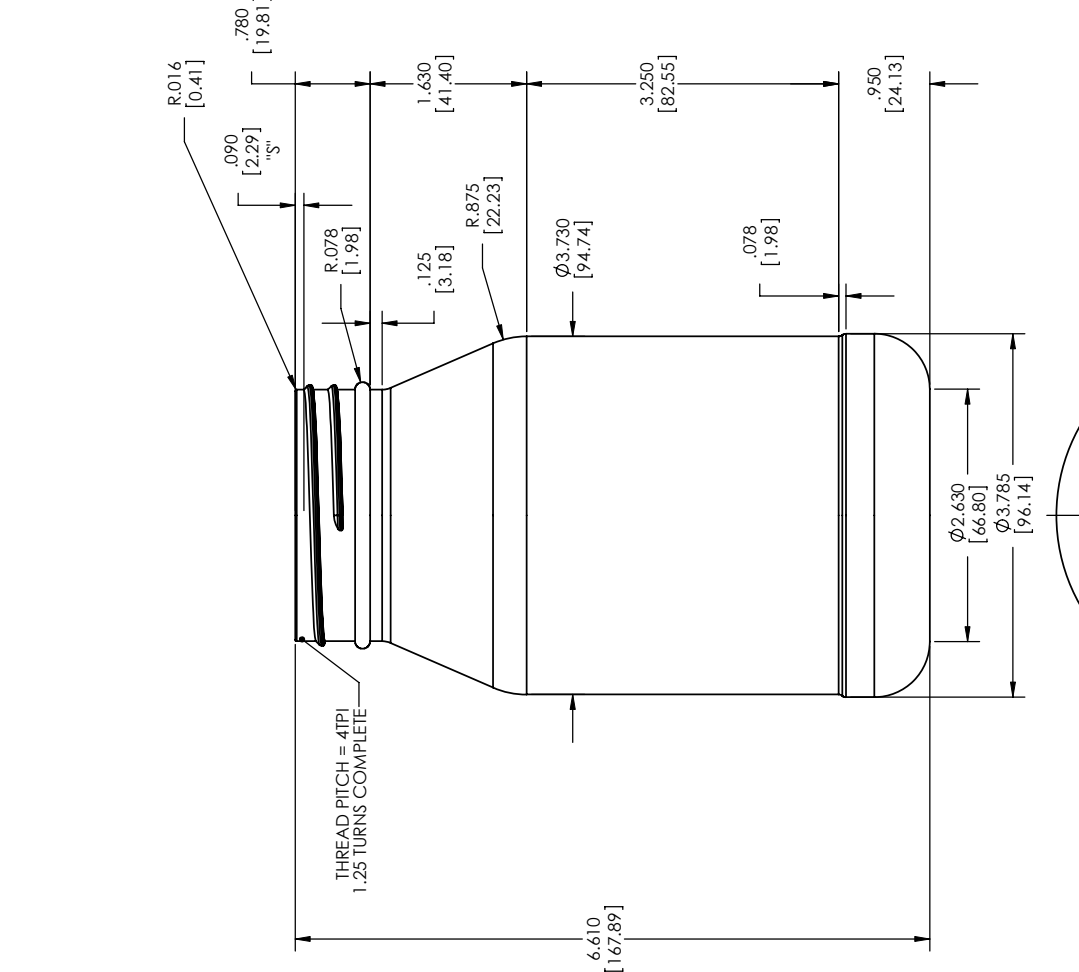
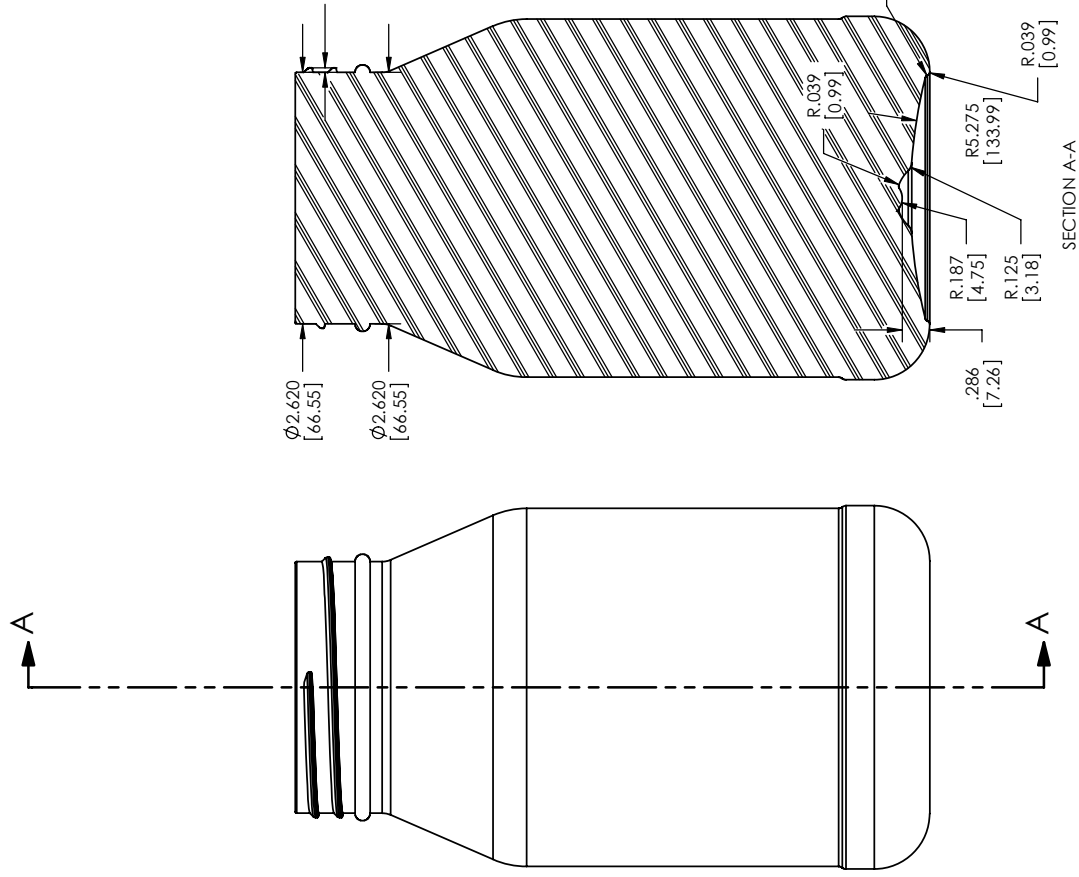




Ocean State Packaging  
TEL: 401-884-4400

PROPRIETARY AND CONFIDENTIAL THE INFORMATION CONTAINED IN THIS DRAWING IS THE PROPERTY OF OCEAN STATE PACKAGING, INC. ANY REPRODUCTION HEREOF OR AS A WHOLE OR IN PART WITHOUT THE WRITTEN PERMISSION OF OCEAN STATE PACKAGING, INC. IS PROHIBITED.		MATERIAL: PET PART: 70-MM SP-400 DO NOT SCALE DRAWING
DRAWN: D. CONTI CHECKED: [ ] ENG. APPR: [ ] MFG. APPR: [ ] C.A.: [ ] COMMENTS:	NAME: [ ] DATE: [ ]	TITLE: 32-OUNCE BLOW TRIM JAR DESIGN CONCEPT
SIZE: DWG. NO. C0347_07_BD_C_01 SCALE: 1:1	REV: [ ]	SHEET 1 OF 1



F E D C B A