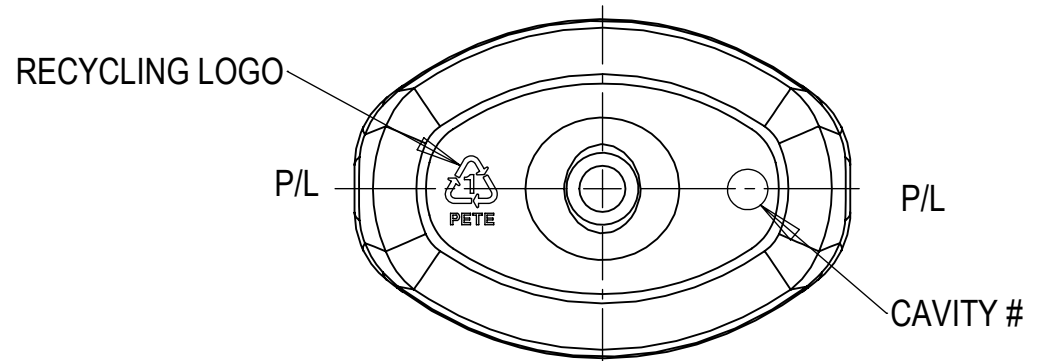
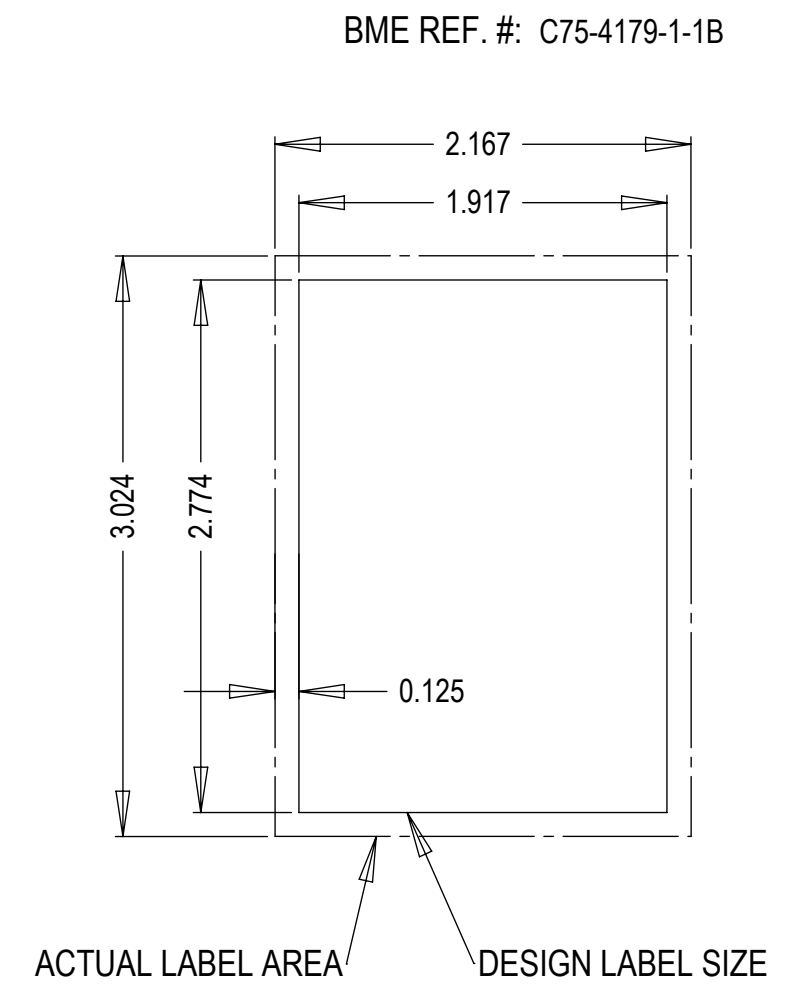
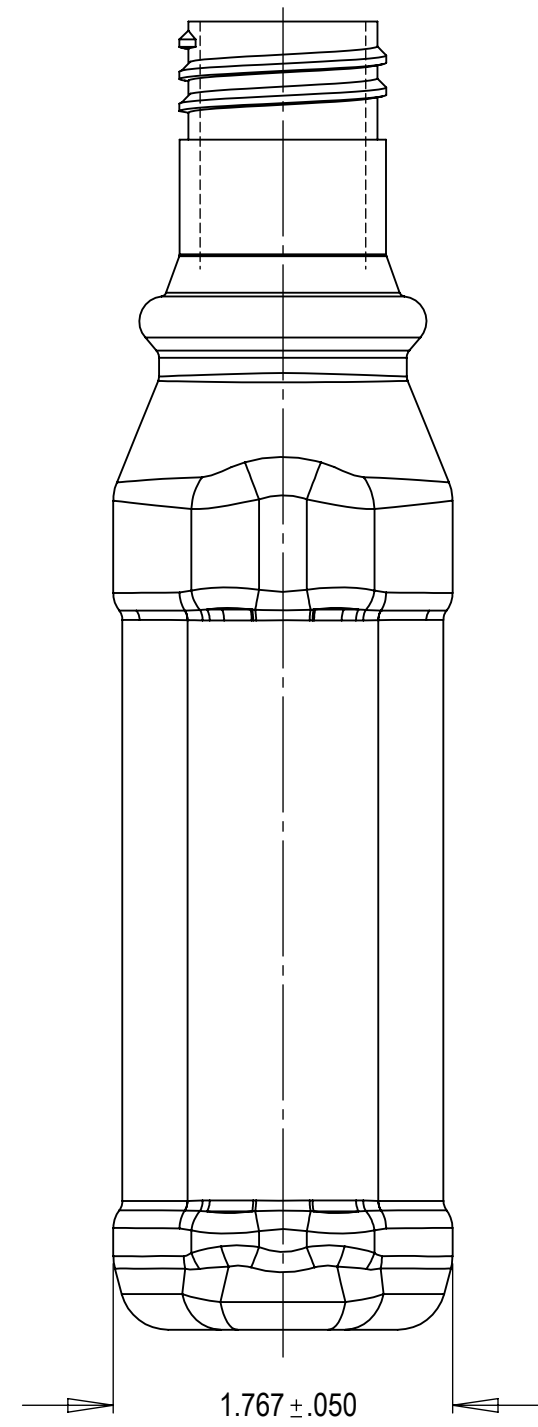
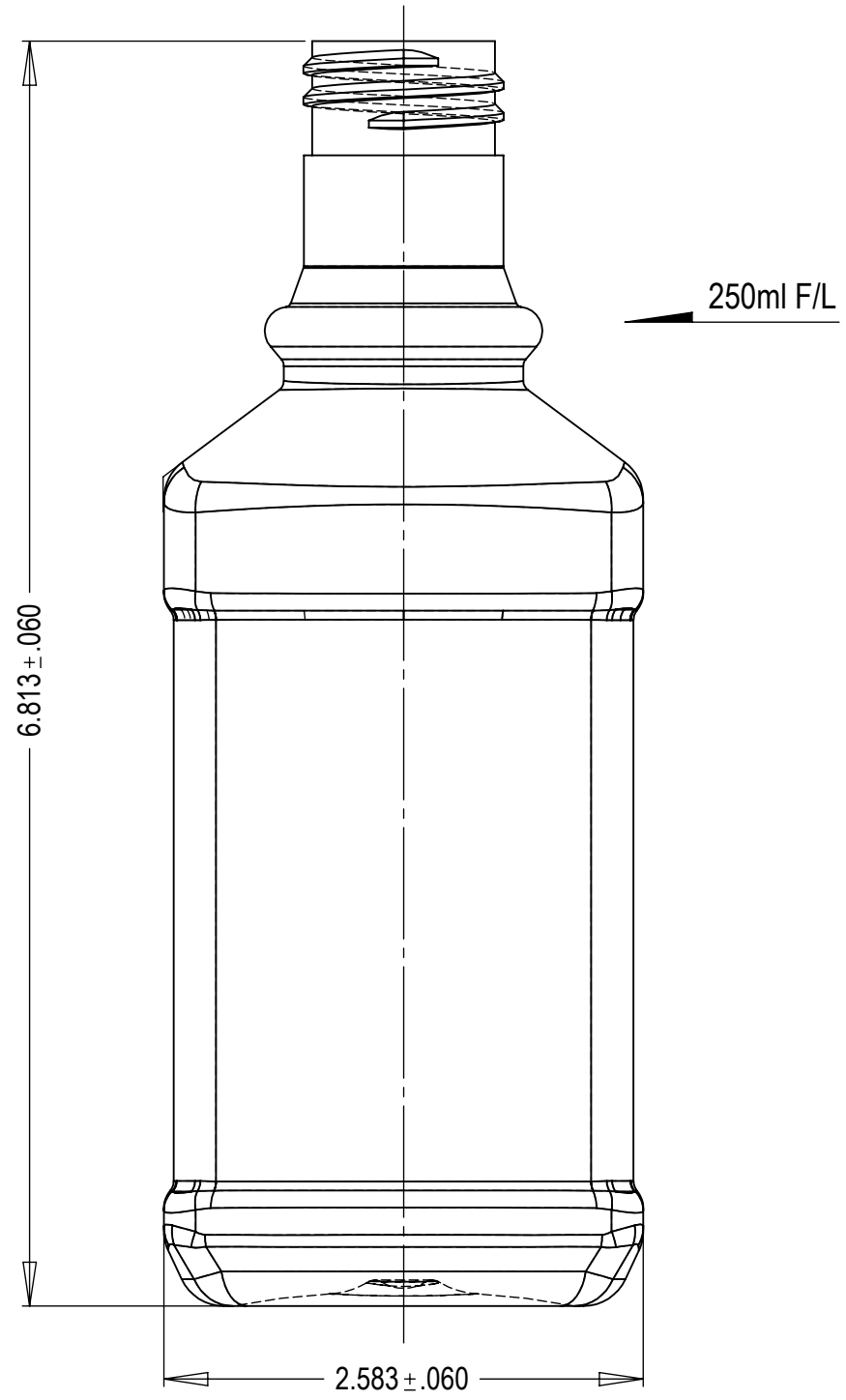



NECK FINISH	"T"	"E"	"H"	"L"	"S"	"I"	HELIX ANG.	CUTTER DIA.	T.P.I	PITCH	THREAD TURNS
M28 SP415(SPECIAL)	1.078 ± .010	.984 ± .010	N/A	.614	.046 ± .015	.862	2°57'	.500	6	.167	2

NO.	REV. BY	DESCRIPTION	DATE
△			



THIS DRAWING CONTAINS PROPRIETARY INFORMATION OF CONSUMERS PACKAGING GROUP INC. NEITHER THIS DRAWING OR ITS CONTENTS MAY BE REPRODUCED IN ANY FORM, FOR ANY PURPOSE, UNLESS WRITTEN CONSENT IS GIVEN BY CONSUMERS PACKAGING GROUP INC.

BOTTLE SPECIFICATIONS			
MATERIAL: PETE	FILL CAPACITY:	250ML ± 7ML	
WEIGHT: 31g ± 1g	OVERFLOW CAPACITY:	269ML ± 7ML	
DWN. BY: Y.F.	DATE: 14/05/09	DESCRIPTION: 250ML MOUTH WASH - V02	
APR. BY:	DATE:	DRAWING NO: CPG-1081-A-V01-R02	
SCALE: 1:1			

 Ocean State Packaging
(401) 884-4400