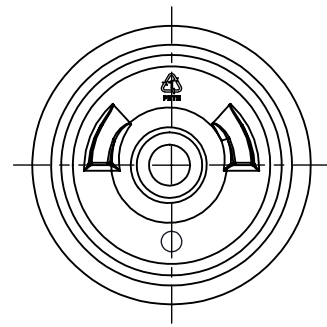
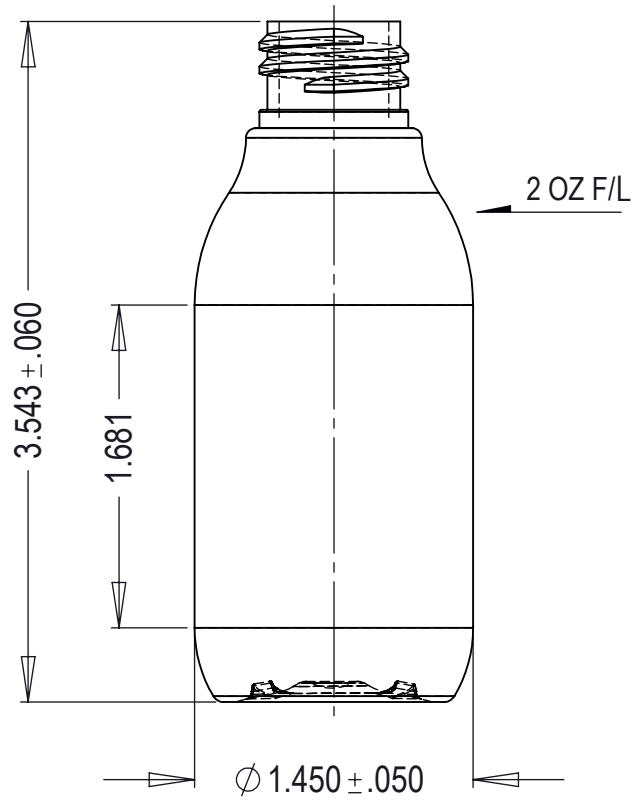


NECK FINISH	"T"	"E"	"H"	"L"	"S"	"I"	HELIX ANG.	CUTTER DIA.	T.P.I	PITCH	THREAD TURNS
M20 SP410(SPECIAL)	.775 ± .008	.691 ± .008	.554 ± .015	.456 MIN	.037 ± .015	.578	3°7'	.375	8	.125	2

NO.	REV. BY	DESCRIPTION	DATE



Ocean State Packaging
(401) 884-4400

AVAILABLE:

- SKU#100035, AMBER

THIS DRAWING CONTAINS PROPRIETARY INFORMATION OF CONSUMERS PACKAGING GROUP INC. NEITHER THIS DRAWING OR ITS CONTENTS MAY BE REPRODUCED IN ANY FORM, FOR ANY PURPOSE, UNLESS WRITTEN CONSENT IS GIVEN BY CONSUMERS PACKAGING GROUP INC.

BOTTLE SPECIFICATIONS			
MATERIAL: PETE	FILL CAPACITY:	59 ML ± 3ML	
WEIGHT: 9g ± 1.5g	OVERFLOW CAPACITY:	68 ML ± 3.5ML	
DWN. BY:	DATE: 04/12/07	DESCRIPTION:	60 ML/2 OZ APOTHECARY
APR. BY:	DATE:	DRAWING NO:	CPG-1041-A-V01-R01
SCALE: 1:1			