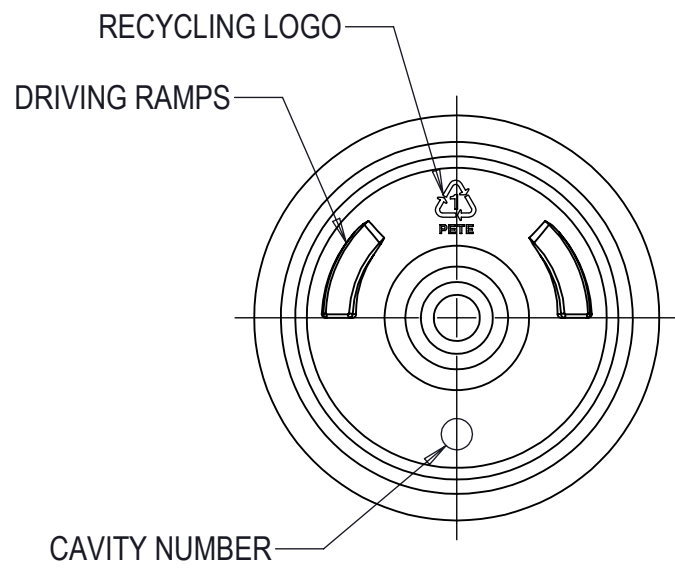
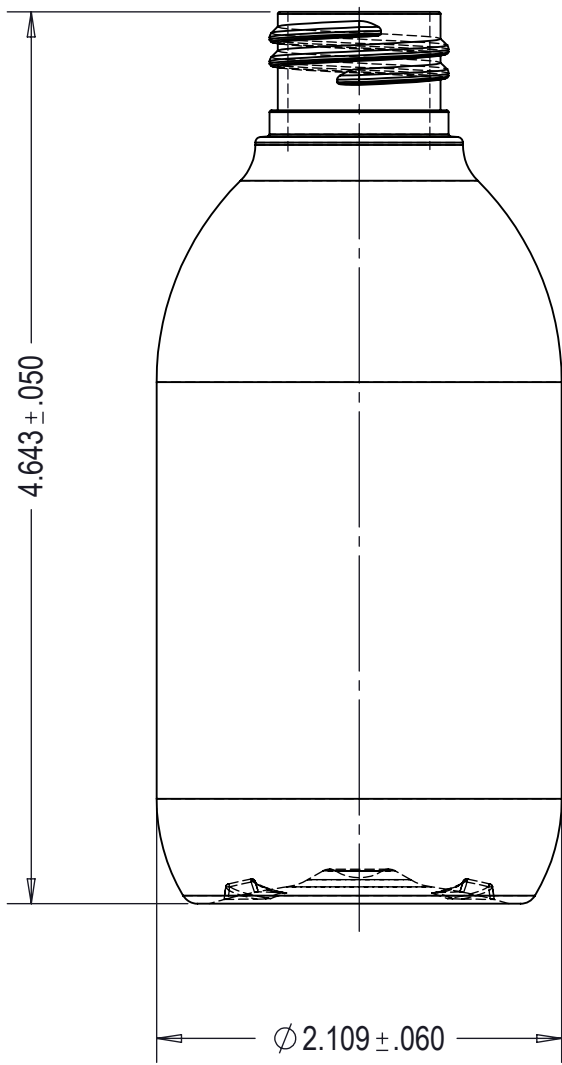


NECK FINISH	"T"	"E"	"H"	"L"	"S"	"I"	HELIX ANG.	CUTTER DIA.	T.P.I	PITCH	THREAD TURNS
M24 SP410(SPECIAL)	.932 ± .008	.848 ± .008	.646 ± .015	.512MIN	.046 ± .015	.732	2°34'	.375	8	.125	2

NO.	REV. BY	DESCRIPTION	DATE



Ocean State Packaging
(401) 884-4400

THIS DRAWING CONTAINS PROPRIETARY INFORMATION OF CONSUMERS PACKAGING GROUP INC. NEITHER THIS DRAWING OR ITS CONTENTS MAY BE REPRODUCED IN ANY FORM, FOR ANY PURPOSE, UNLESS WRITTEN CONSENT IS GIVEN BY CONSUMERS PACKAGING GROUP INC.

BOTTLE SPECIFICATIONS			
MATERIAL: PETE	FILL CAPACITY:	177ML ± 6ML	
WEIGHT: 22g ± 1g	OVERFLOW CAPACITY:	192ML ± 6ML	
DWN. BY: Y.F.	DATE: 28/10/08	DESCRIPTION:	180ML/6oz APOTHECARY
APR. BY:	DATE:	DRAWING NO:	CPG-1057-A-V01-R01
SCALE: 1:1			