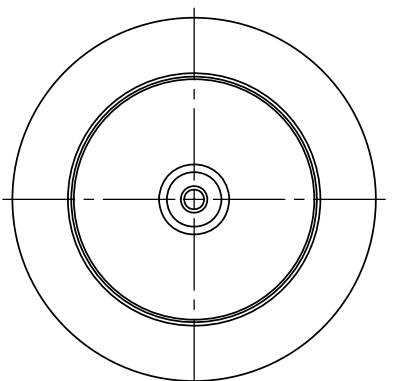
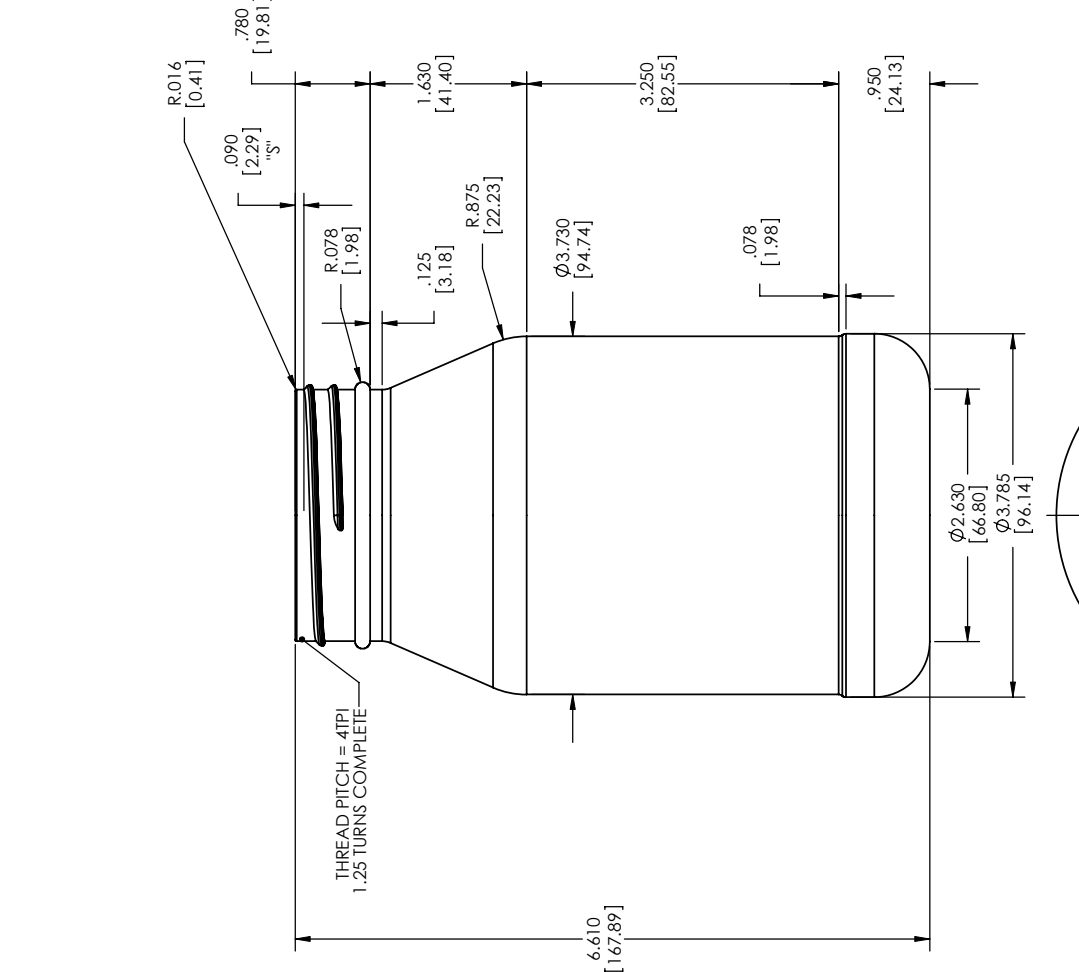
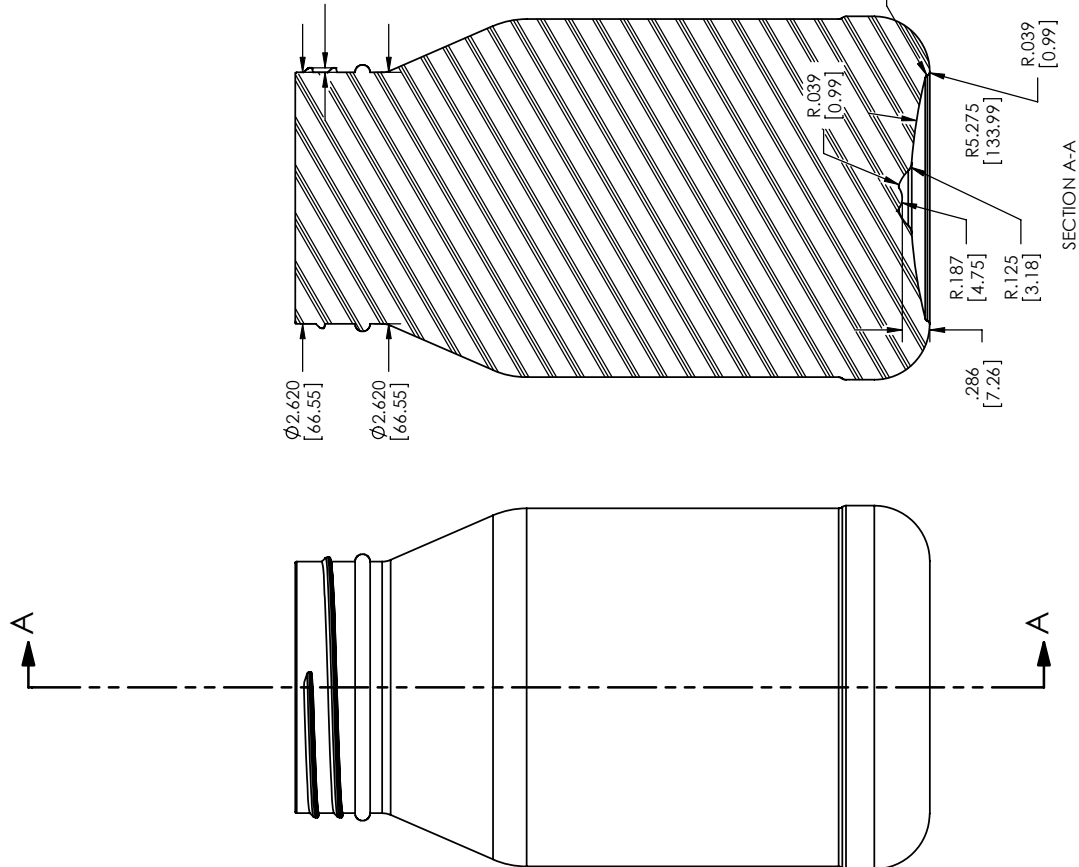




Ocean State Packaging
(401) 884-4400

<small>THE INFORMATION CONTAINED IN THIS DRAWING IS THE PROPERTY OF OCEAN STATE PACKAGING, INC. AND IS TO BE USED FOR THE PRODUCTION OF PARTS OR AS A SINGLE REFERENCE ONLY. REPRODUCTION OR TRANSMISSION OF THIS DRAWING IN ANY FORM OR BY ANY MEANS IS PROHIBITED.</small>		MATERIAL: PET PART: 70-MM SP-400 DO NOT SCALE DRAWING														
<table border="1"> <tr><th>NAME</th><th>DATE</th></tr> <tr><td> </td><td> </td></tr> </table>	NAME	DATE			<table border="1"> <tr><th>DRAWN</th><td> </td></tr> <tr><th>CHECKED</th><td> </td></tr> <tr><th>ENG. APPR.</th><td> </td></tr> <tr><th>MFG. APPR.</th><td> </td></tr> <tr><th>C.A.</th><td> </td></tr> </table>	DRAWN		CHECKED		ENG. APPR.		MFG. APPR.		C.A.		TITLE: 32-OUNCE BLOW TRIM JAR DESIGN CONCEPT
NAME	DATE															
DRAWN																
CHECKED																
ENG. APPR.																
MFG. APPR.																
C.A.																
SIZE: DWG. NO. C0347_07_BD_C_01	REV:	SCALE: 1:1 SHEET 1 OF 1														



SECTION A-A

F E D C B A

1 2 3 4 5 6 7 8