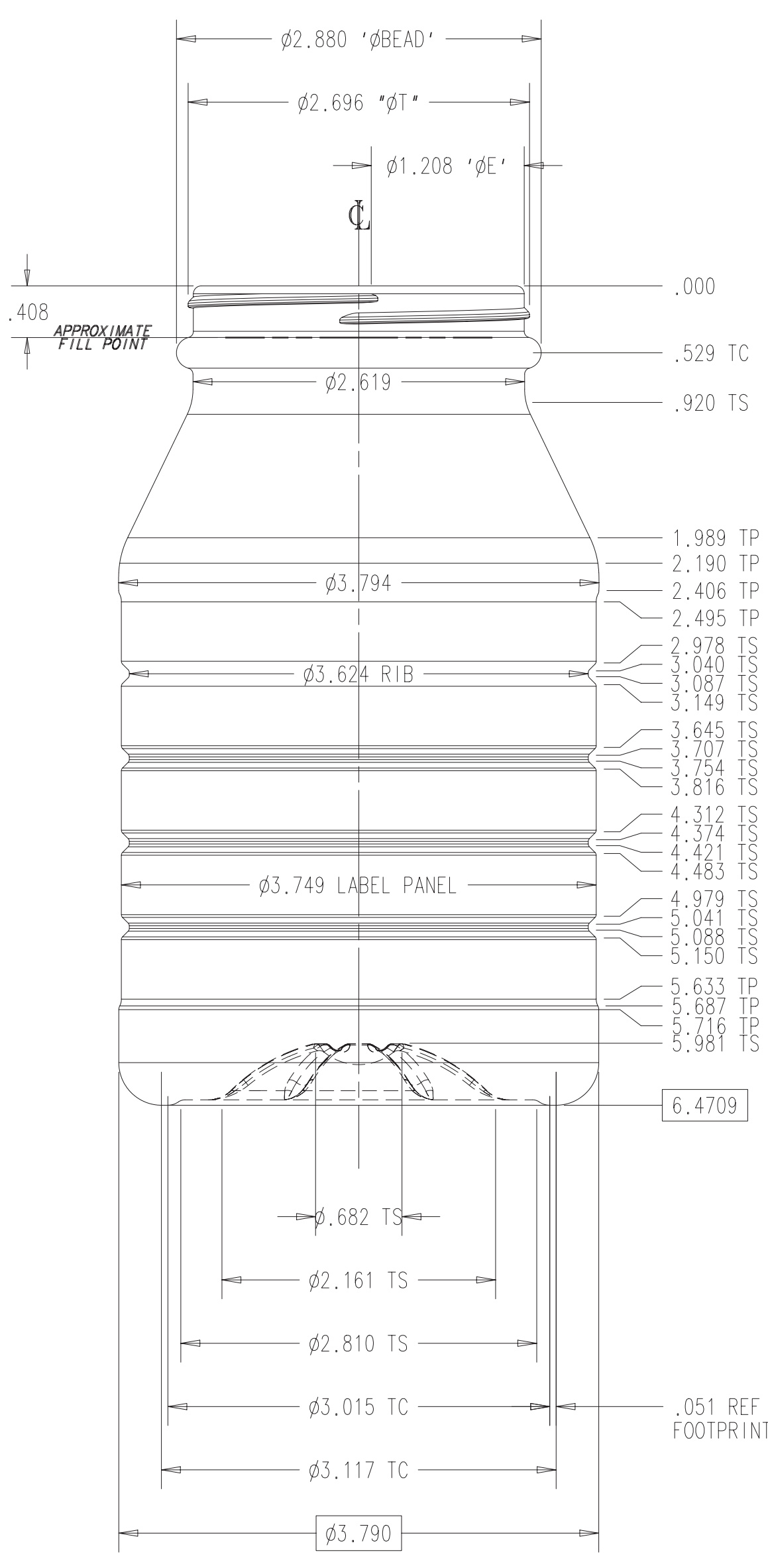
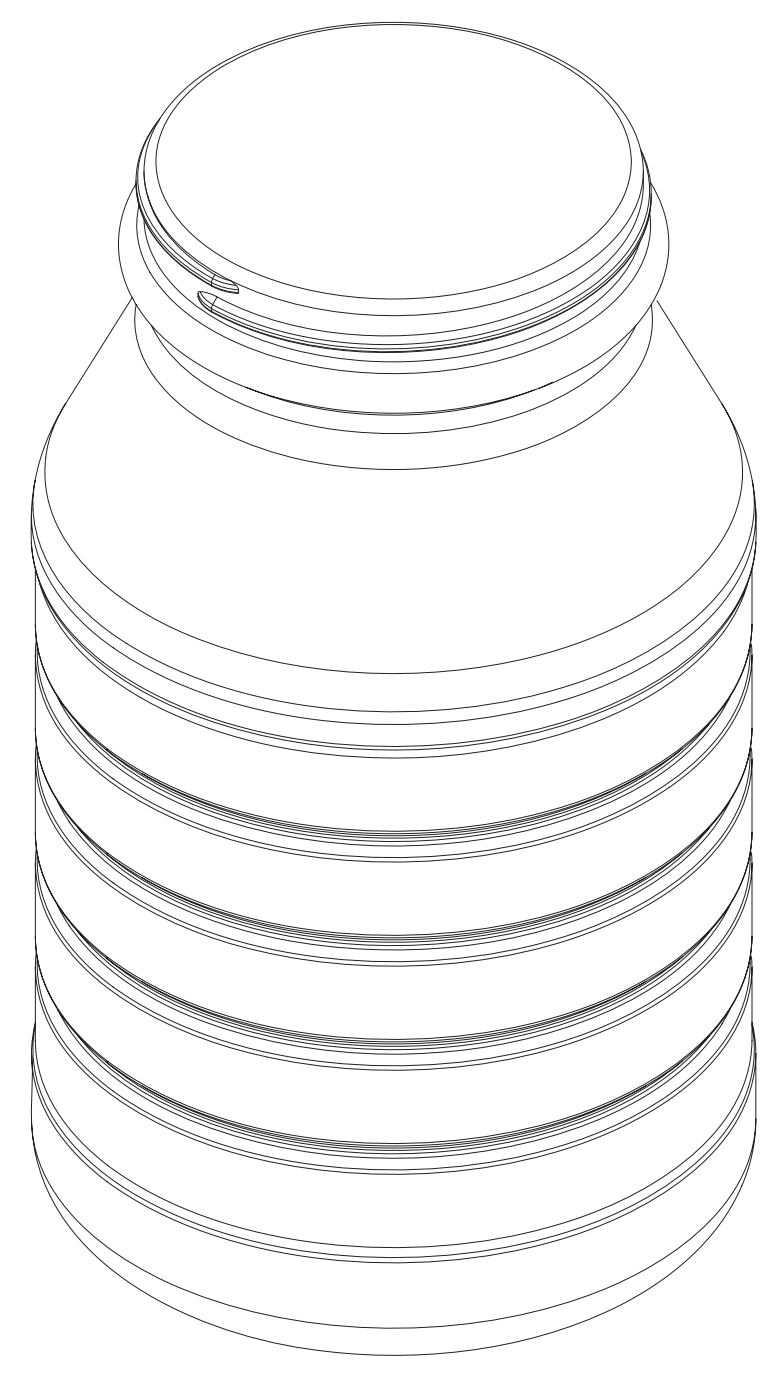


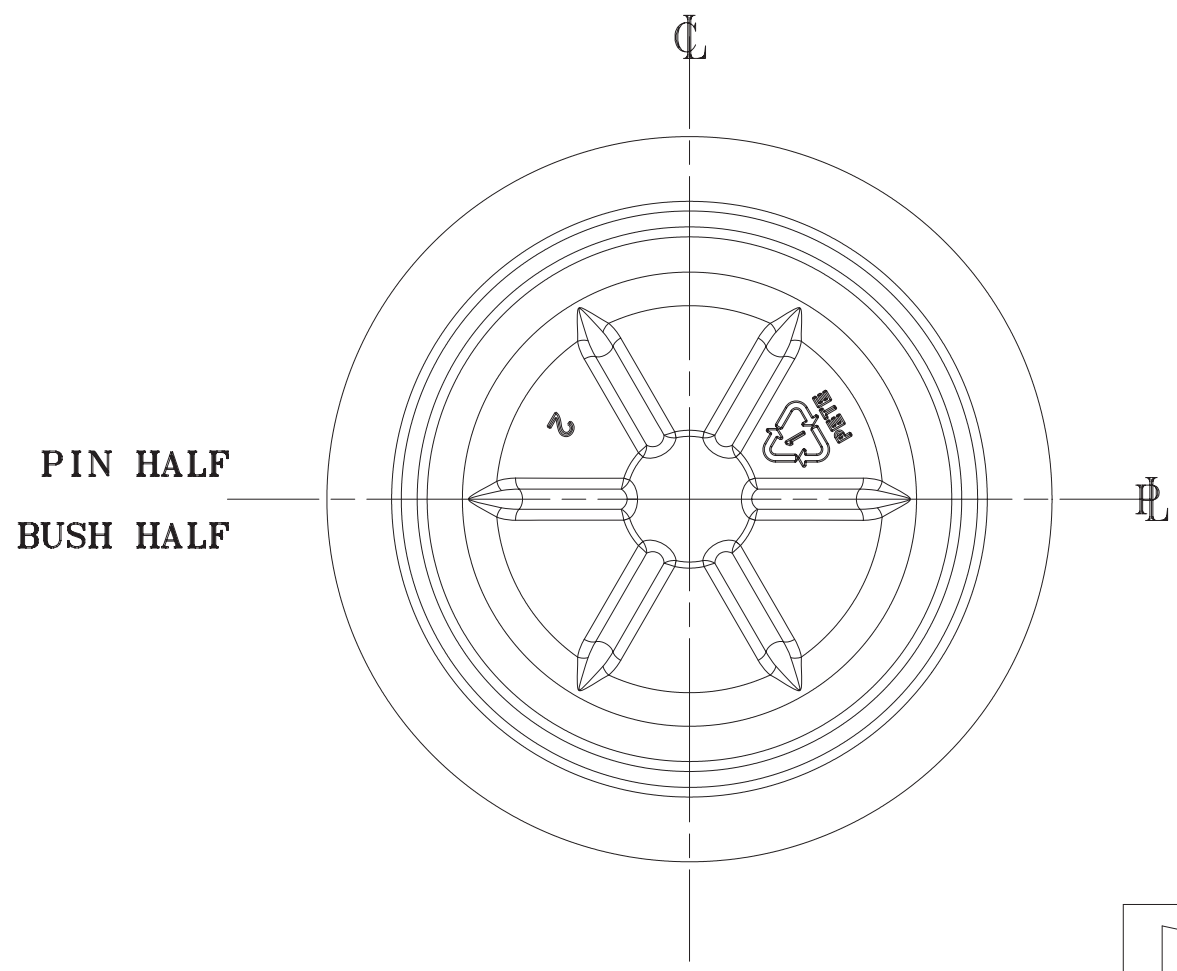
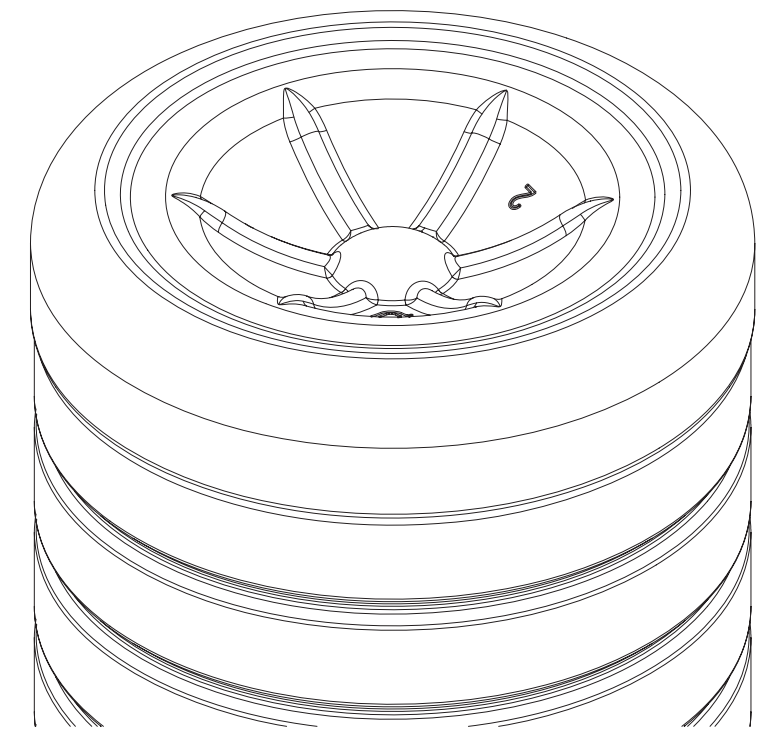
DATE	REV.	REMARKS	REV. BY
21-DEC-06	A	1 EXTRA RIB ADDED RIB PROFILE MODIFIED P/U RIBS ADDED ENGRAVING UPDATED	STL
18-JAN-07	B	1 EXTRA RIB ADDED	STL
19-JAN-07	C	PUSH-UP ENGRAVING MODIFIED APPROVAL SIGNATURE SPOT ADDED	STL
22-JAN-07	D	P+ LOGO REMOVED	STL



FRONT VIEW

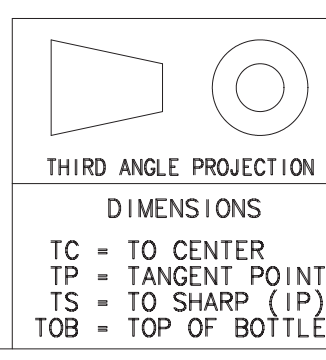


ISO VIEW



BOTTOM VIEW

- BOTTLE WEIGHT : 35±.5 grams
- FILL CAPACITY : 32.00±.51 oz (US. fl.)
: 946.35±15.00 cc
- OVERFLOW CAPACITY : 33.18±.51 oz (US. fl.)
: 981.25±15.00 cc
- ALL CALCULATION & VOLUMES APPROXIMATE UNTIL FINAL MANUFACTURE
- ALL NOTES APPLIED UNLESS OTHERWISE SPECIFIED.



CONFIDENTIAL THIS DRAWING AND THE INFORMATION HEREIN ARE CONFIDENTIAL AND NOT TO BE DISCLOSED WITHOUT THE EXPRESS CONSENT OF MOLD-SPEC INC.	MAT'L	PETE	FINISH	70mm SP-400	
	DT'L BY:	S.T.L.	Ocean State Packaging (401) 884-4400		
	DATE	20-DEC-06			
	MD'L BY:	S.T.L.			
DATE	20-DEC-06	CUSTOMER	GARLIC	PROD. No.	-
TOLERANCES		TITLE		MACHINE	-
.X = ±0.010 .XX = ±0.005 .XXX = ±.001 ANGLES = ±30°		PRODUCT GARLIC TITLE PRODUCT DRAWING			
ALL DIMENSION ARE AT MMC UNLESS OTHERWISE SPECIFIED		SCALE	FULL & NOTED	JOB No.	MS-3897
		SHEET	1 OF 1	DWG No.	C-3897-01
				REV.	D