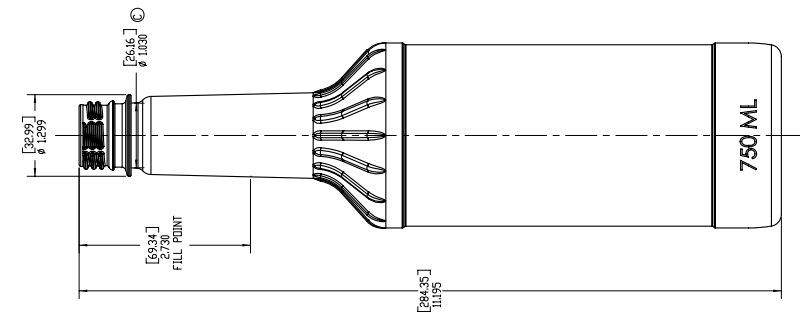
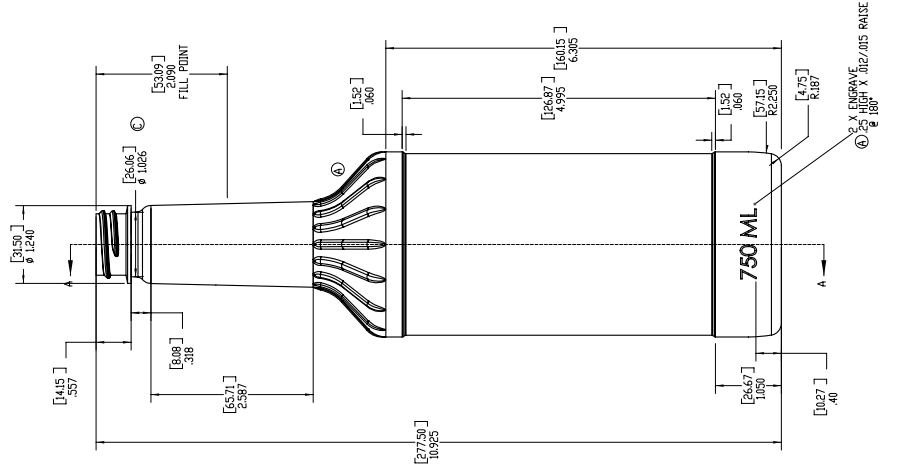
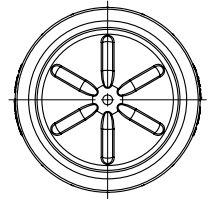
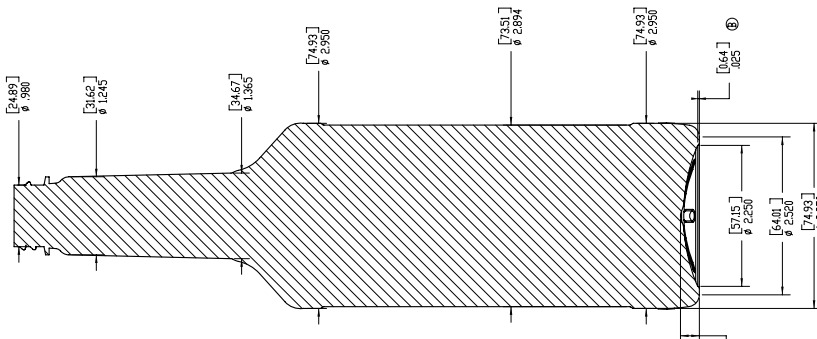
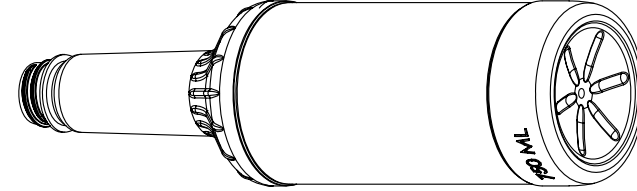
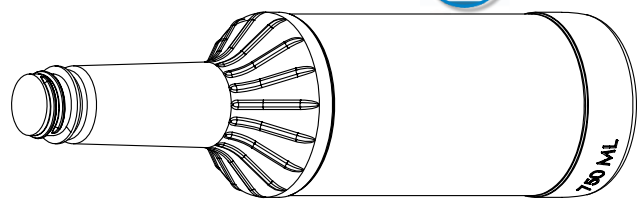
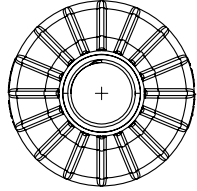




Ocean State Packaging  
(401) 884-4400

REV.	DESCRIPTION	DATE	APPROVED
A	CHANGED RIBS & ADDED ENGRAVE	24/02/2006	MP
B	CHANGED RIBS, BASE AND NECK DIAMETER	20/06/2006	MP
C	CHANGED NECK DIAMETER	20/06/2006	MP
D	CHANGED FILL POINT HEIGHTS	28/07/2006	MP

REV.	DESCRIPTION	DATE	APPROVED
A	CHANGED RIBS & ADDED ENGRAVE	24/02/2006	MP
B	CHANGED RIBS, BASE AND NECK DIAMETER	20/06/2006	MP
C	CHANGED NECK DIAMETER	20/06/2006	MP
D	CHANGED FILL POINT HEIGHTS	28/07/2006	MP



28-SP400  
PREFORM WEIGHT: 42.9g  
OVERFLOW CAPACITY: 783 ± 15 CC

28-PC0  
PREFORM WEIGHT: 40.9g  
OVERFLOW CAPACITY: 788 ± 15 CC

DATE	SCALE	BY	CHKD	APP'D
24/02/2006	1:1	MP		
20/06/2006	1:1	MP		
20/06/2006	1:1	MP		
28/07/2006	1:1	MP		

75 ML WINE B TITLE DESIGN  
332Z (10/05) ML  
0115\_06\_PD\_C\_04  
REV  
MASS: 42.4 GRAMS  
SCALE: 1:1  
MS-3717A  
SHEET 1 OF 1