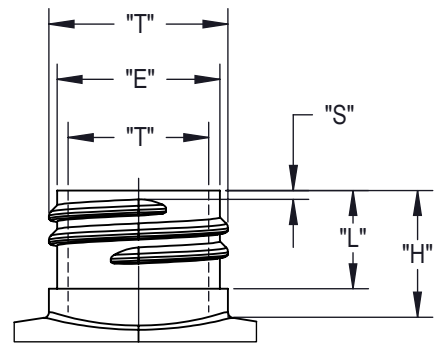
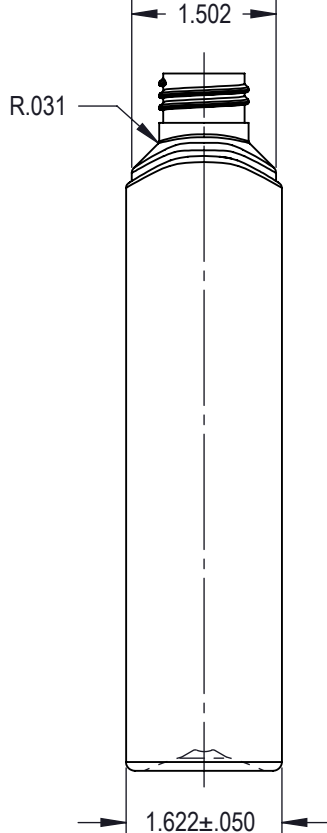
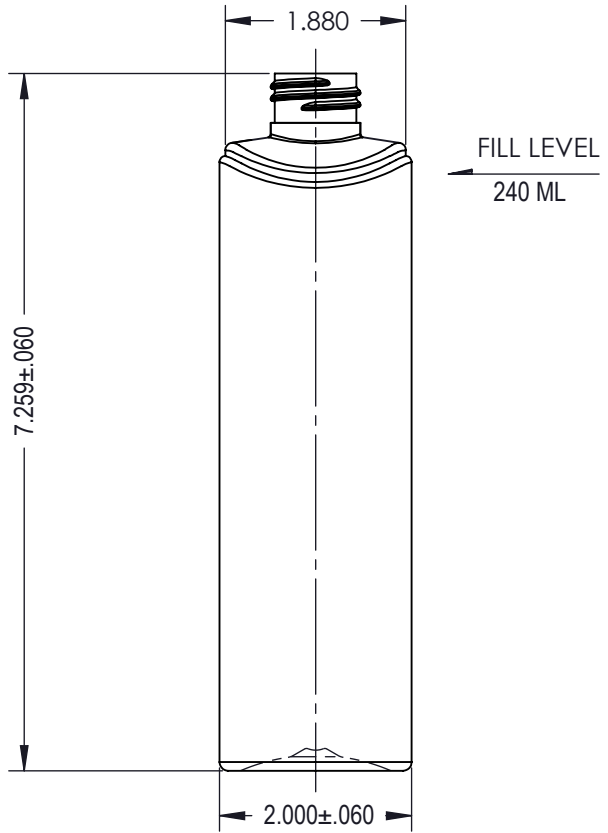
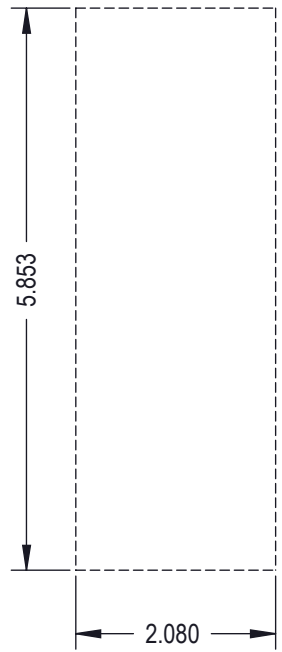


NECK FINISH	"T"	"E"	"H"	"L"	"S"	"I"	HELIX ANG.	CUTTER DIA.	T.P.I	PITCH	THREAD TURNS
M24 SP410(SPECIAL)	.932 ± .008	.848 ± .008	.646 ± .015	.512MIN	.046 ± .015	.732	2°34'	.375	8	.125	2

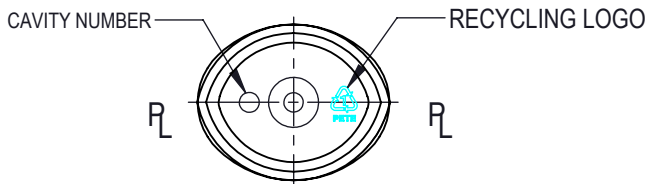
NO.	REV. BY	DESCRIPTION	DATE
△	-	-	-



NECK DETAIL  
SCALE 1:1



LABEL AREA




NOTE:  
 -- ALL DIMENSIONS ARE TO BE IN INCHES UNLESS SPECIFIED.  
 -- ALL RADS & FILLETS ARE 1/64 R. MIN. UNLESS OTHERWISE SPECIFIED.  
 -- ALL DIMENSION & FILL CAPACITIES CONFORM TO S.P.I. STANDARDS.

AVAILABLE:  
 1. SKU# 100032, CLEAR

THIS DRAWING CONTAINS PROPRIETARY INFORMATION OF CONSUMERS PACKAGING GROUP INC. NEITHER THIS DRAWING OR ITS CONTENTS MAY BE REPRODUCED IN ANY FORM. FOR ANY PURPOSE, UNLESS WRITTEN CONSENT IS GIVEN BY CONSUMERS PACKAGING GROUP INC.

BOTTLE SPECIFICATIONS			
MATERIAL: PETE	FILL CAPACITY:	240ML ± 7ML	
WEIGHT: 24g ± 1g	OVERFLOW CAPACITY:	250ML ± 7ML	
DWN. BY: 124	DATE: 12/30/04	DESCRIPTION:	240ML/8OZ ELEGANT OVAL
APR. BY:	DATE:	DRAWING NO:	CPG-1008-A-V01-R01
SCALE: 1:1			

  
 Ocean State Packaging  
 (401) 884-4400