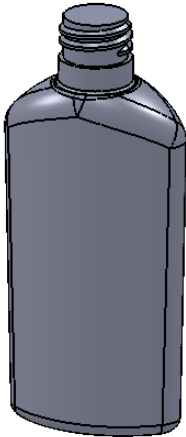
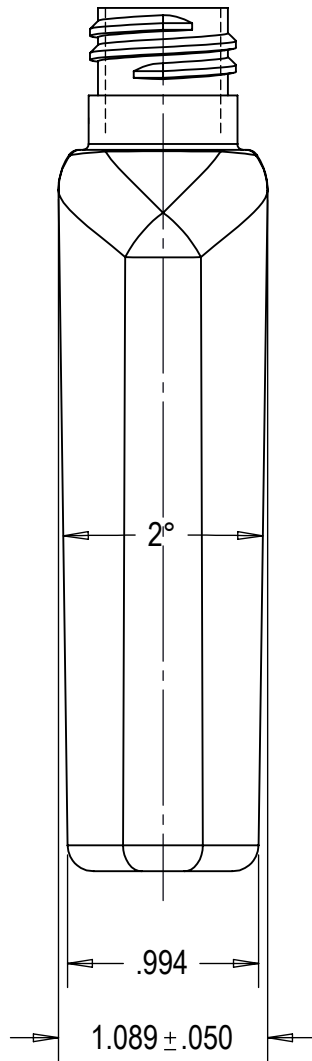
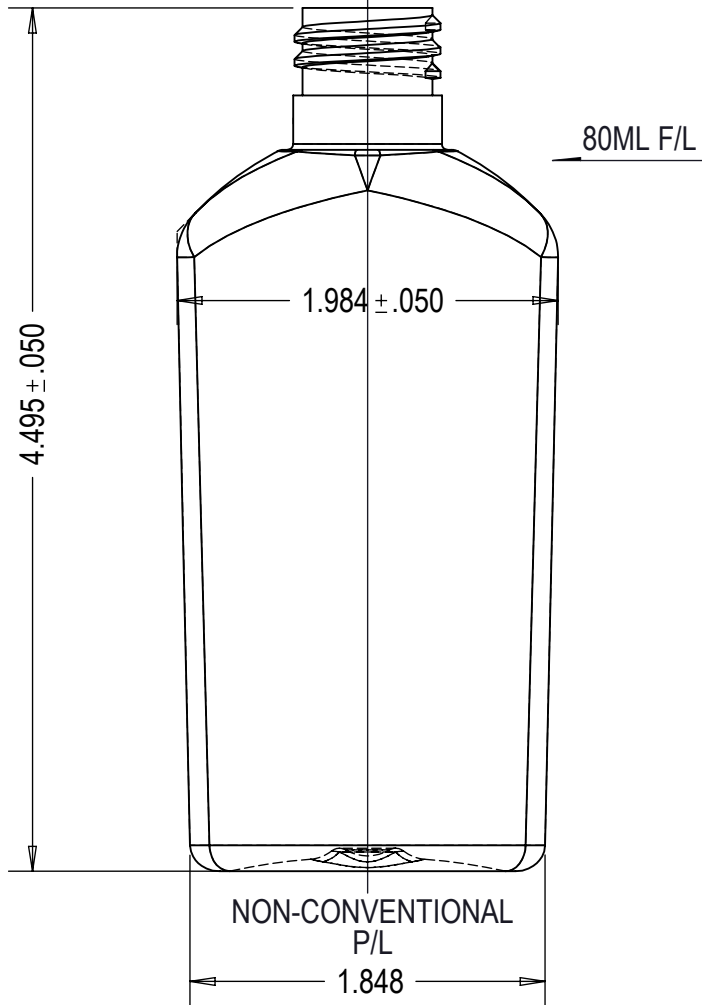


NECK FINISH	"T"	"E"	"H"	"L"	"S"	"I"	HELIX ANG.	CUTTER DIA.	T.P.I	PITCH	THREAD TURNS
M20 SP415(SPECIAL)	.775 ± .008	.691 ± .008	.742 ± .015	.456MIN	.037 ± .015	.578	3°7'	.375	8	.125	2

NO.	REV. BY	DESCRIPTION	DATE

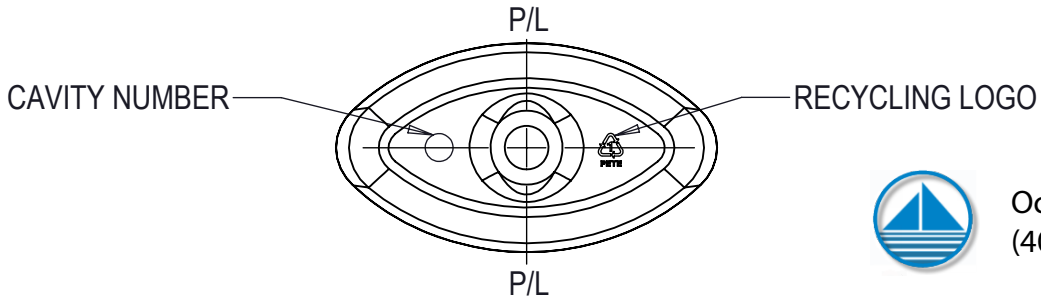
NON-CONVENTIONAL
P/L



BME REF. #: C75-4116-2-1A

NOTE:
1. SKU # : 100046, CLEAR

THIS DRAWING CONTAINS PROPRIETARY INFORMATION OF CONSUMERS PACKAGING GROUP INC. NEITHER THIS DRAWING OR ITS CONTENTS MAY BE REPRODUCED IN ANY FORM, FOR ANY PURPOSE, UNLESS WRITTEN CONSENT IS GIVEN BY CONSUMERS PACKAGING GROUP INC.



Ocean State Packaging
(401) 884-4400

BOTTLE SPECIFICATIONS	
MATERIAL: PETE	FILL CAPACITY: 80 ML ±3.5ML
WEIGHT: 13g ±1g	OVERFLOW CAPACITY: 85 ML ±4ML
DWN. BY: Y.F.	DATE: 24/11/08
APR. BY:	DATE:
SCALE: 1:1	DESCRIPTION: 80ML/2.7oz SLOPED SHOULDER OVAL DRAWING NO: CPG-1056-A-V02-R01