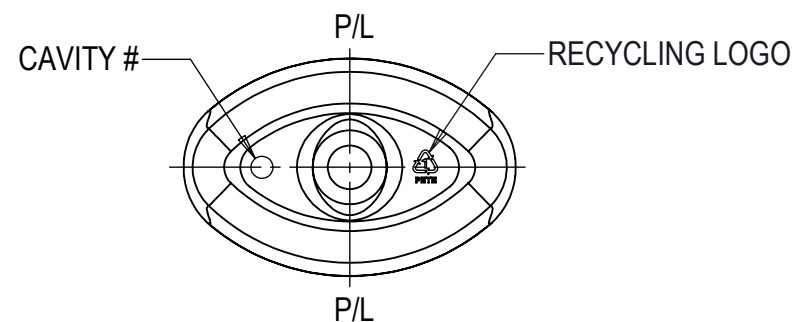
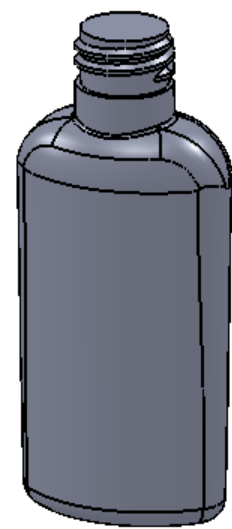
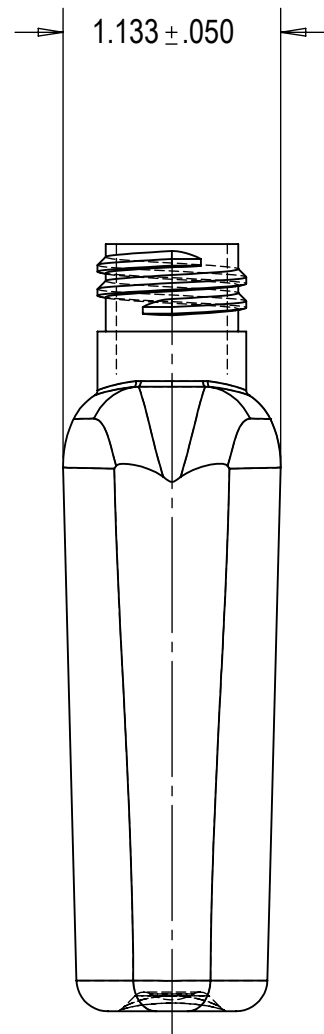
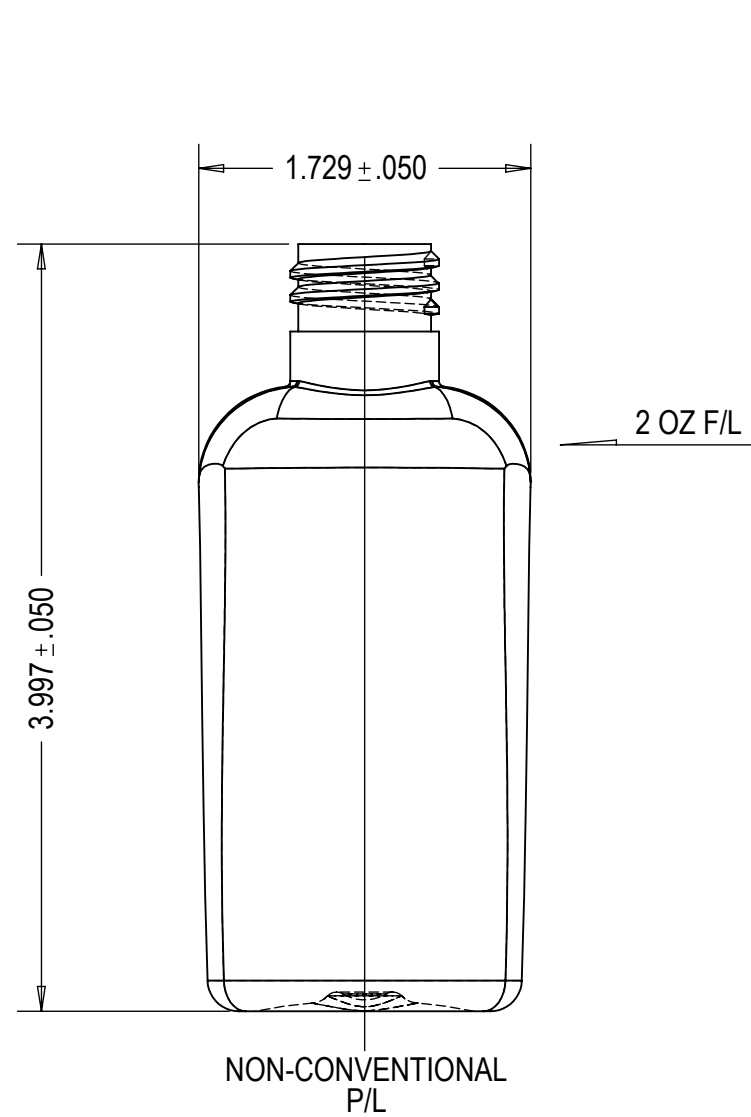


NECK FINISH	"T"	"E"	"H"	"L"	"S"	"I"	HELIX ANG.	CUTTER DIA.	T.P.I	PITCH	THREAD TURNS
M24 SP415	.775 ± .008	.694 ± .008	.742 ± .015	.456MIN	.037 ± .015	.578	3°7'	.375	8	.125	2

NO.	REV. BY	DESCRIPTION	DATE



THIS DRAWING CONTAINS PROPRIETARY INFORMATION OF CONSUMERS PACKAGING GROUP INC. EITHER THIS DRAWING OR ITS CONTENTS MAY NOT BE REPRODUCED IN ANY FORM, FOR ANY PURPOSE, UNLESS WRITTEN CONSENT IS GIVEN BY CONSUMERS PACKAGING GROUP INC.

BOTTLE SPECIFICATIONS			
MATERIAL: PETE	FILL CAPACITY:	60ML ± 3ML	
WEIGHT: 9g ± 1g	OVERFLOW CAPACITY:	76ML ± 3.5ML	
DWN. BY: Y.F.	DATE: 06/11/09	DESCRIPTION:	60ML/2oz COSMO OVAL
APR. BY:	DATE:	DRAWING NO:	CPG-1089-A-V02-R01
SCALE: 1:1			



Ocean State Packaging  
(401) 884-4400