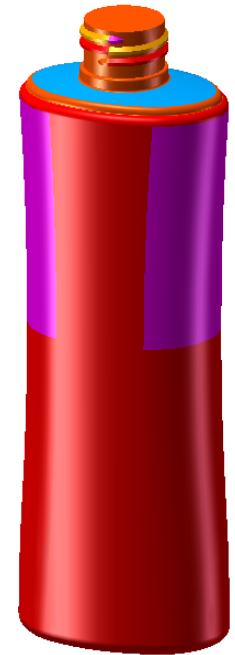
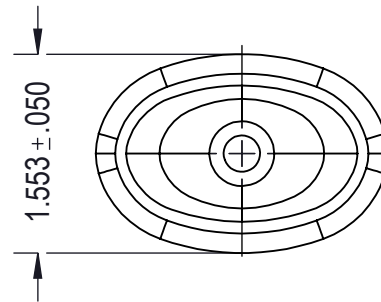
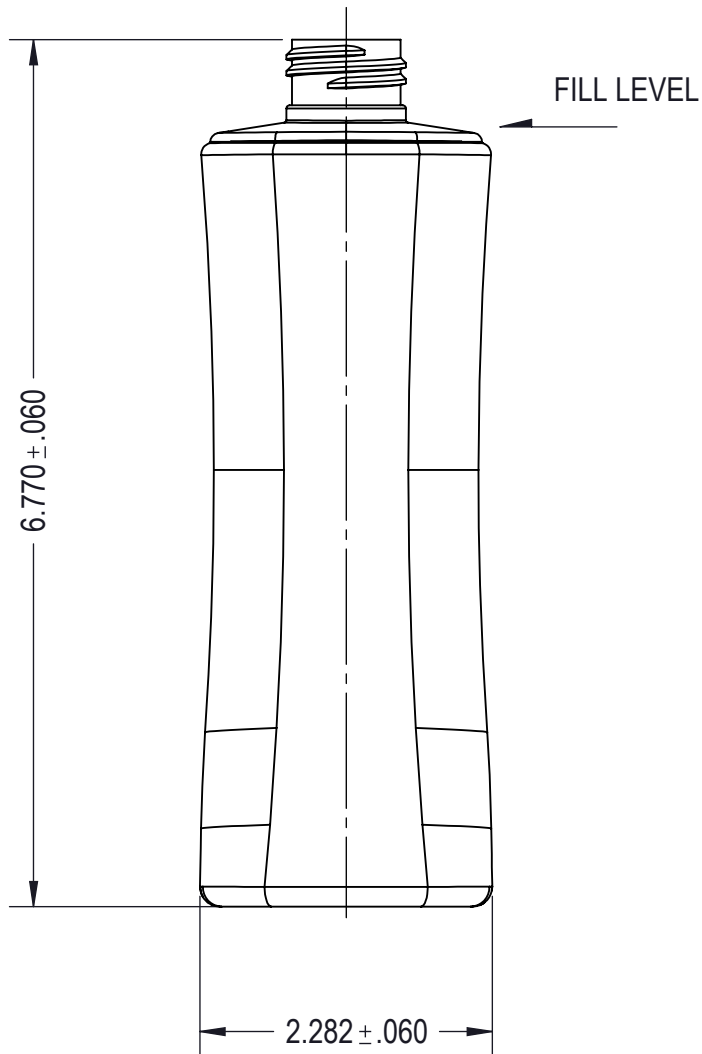


NECK FINISH	"T"	"E"	"H"	"L"	"S"	"I"	HELIX ANG.	CUTTER DIA.	T.P.I	PITCH	THREAD TURNS
M24 SP410(SPECIAL)	.932 ±.008	.848 ±.008	.646 ±.015	.512 MIN	.046 ±.015	.732	2°34'	.375	8	.125	2

NO.	REV. BY	DESCRIPTION	DATE



AVAILABLE:

1. SKU#100011, CLEAR
2. SKU#100030, AMBER

THIS DRAWING CONTAINS PROPRIETARY INFORMATION OF CONSUMERS PACKAGING GROUP INC. NEITHER THIS DRAWING OR ITS CONTENTS MAY BE REPRODUCED IN ANY FORM, FOR ANY PURPOSE, UNLESS WRITTEN CONSENT IS GIVEN BY CONSUMERS PACKAGING INC.

BOTTLE SPECIFICATIONS		
MATERIAL: PETE	FILL CAPACITY:	240ML ± 7ML
WEIGHT: 24g ± 1g	OVERFLOW CAPACITY:	256 ML ± 7ML
DWN. BY: 124	DATE: 28/12/05	DESCRIPTION: 240ML/8OZ PINCH WAIST
APR. BY:	DATE:	DRAWING NO: CPG-1022-A-V01-R01
SCALE: 1:1		



Ocean State Packaging
(401) 884-4400