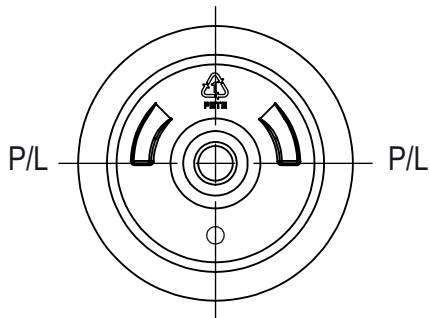
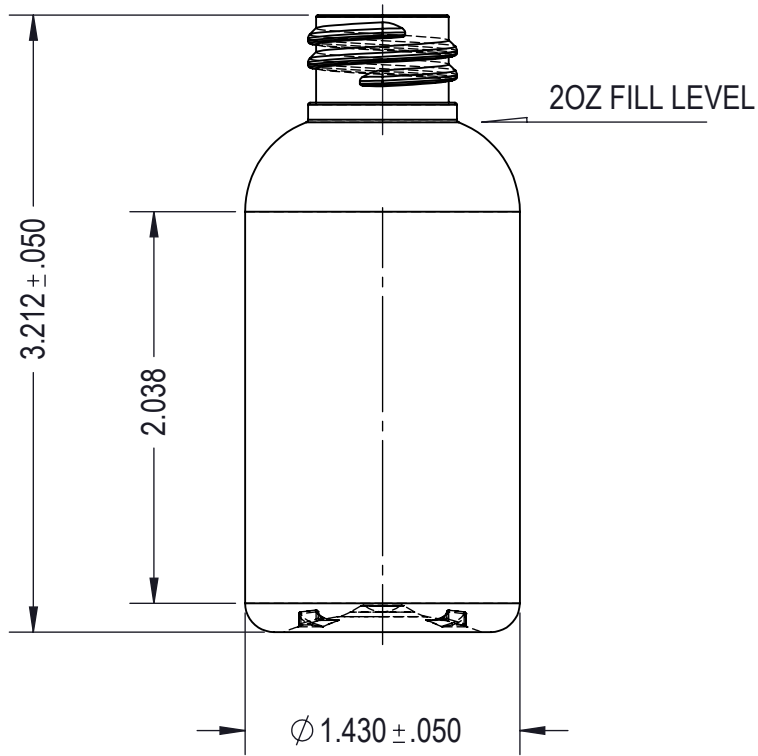


NECK FINISH	"T"	"E"	"H"	"L"	"S"	"I"	HELIX ANG.	CUTTER DIA.	T.P.I	PITCH	THREAD TURNS
M20 SP410(SPECIAL)	.775 ± .008	.691 ± .008	.554 ± .015	.456MIN	.037 ± .015	.578	3°7'	.375	8	.125	2

NO.	REV. BY	DESCRIPTION	DATE



AVAILABLE:

1. SKU# 100027, CLEAR
2. SKU# 100037, WHITE

NOTES:

1. BODY SIZES SHOWN ARE REPRESENTATIVE OF MEAN DIMENSIONS ONLY. FINAL PRODUCT SIZES ARE TO BE DETERMINED FROM ACTUAL PLASTIC SAMPLES.
2. ALL DIMENSIONS ARE TO BE IN INCHES UNLESS OTHERWISE SPECIFIED.
3. ALL DIMENSIONS AND TOLERANCES CONFORM TO S.P.I. STANDARDS WHERE APPLICABLE.
4. ALL RADII & FILLETS ARE .015" MIN. UNLESS OTHERWISE SPECIFIED.
5. UNDIMENSIONED SURFACES AND SURFACE CONTOURS CAN BE DERIVED FROM 3D MODEL.

THIS DRAWING CONTAINS PROPRIETARY INFORMATION OF CONSUMERS PACKAGING GROUP INC. NEITHER THIS DRAWING OR ITS CONTENTS MAY BE REPRODUCED IN ANY FORM, FOR ANY PURPOSE, UNLESS WRITTEN CONSENT IS GIVEN BY CONSUMERS PACKAGING INC.



Ocean State Packaging
(401) 884-4400

BOTTLE SPECIFICATIONS		
MATERIAL: PETE	FILL CAPACITY:	59ML ± 3ML
WEIGHT: 9g ± 1g	OVERFLOW CAPACITY:	62 ML ± 3.5ML
DWN. BY: Y.F.	DATE: 17/01/07	DESCRIPTION: 60 ML/2 OZ BOSTON ROUND
APR. BY:	DATE:	DRAWING NO: CPG-1033-A-V01-R01
SCALE: 1:1		