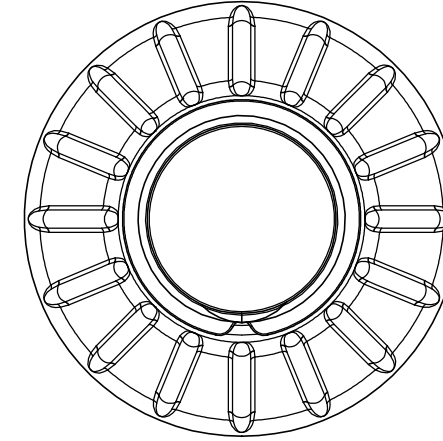
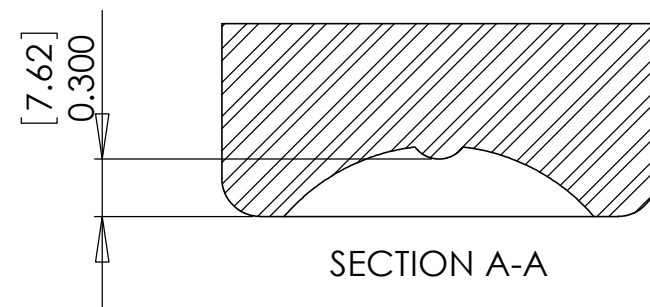
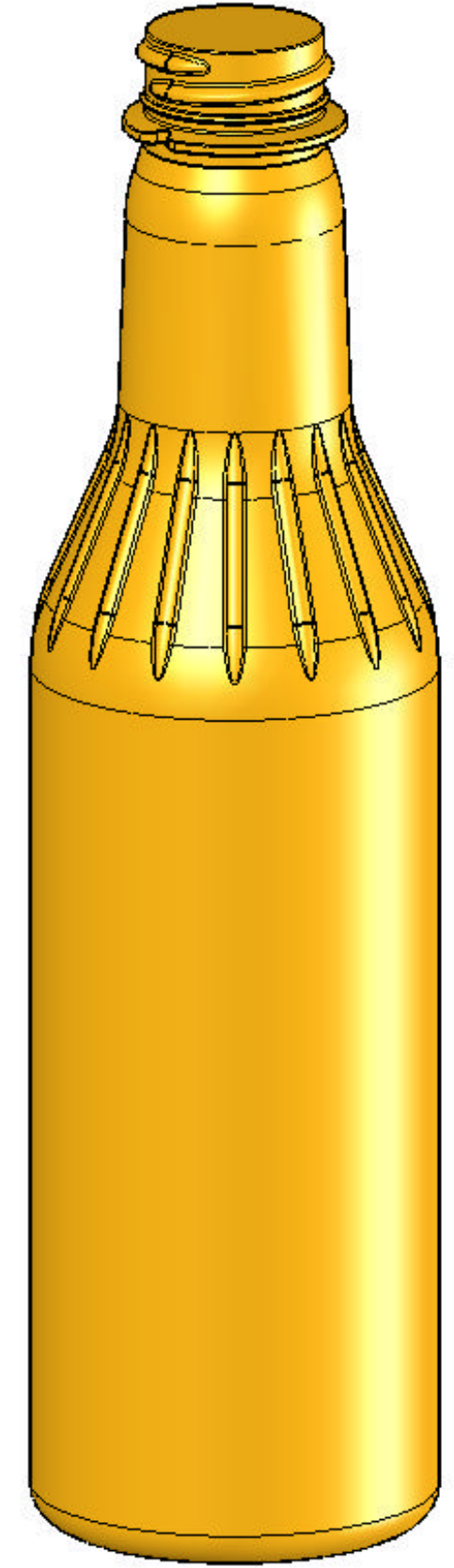
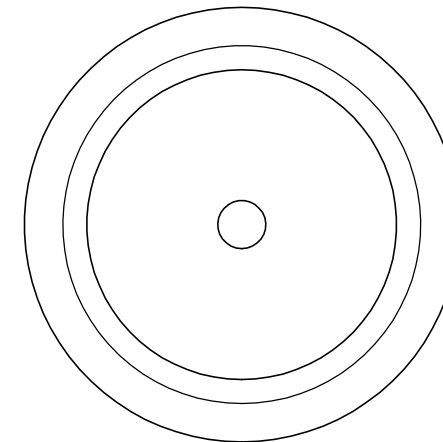


VIEW FROM THE TOP



VIEW FROM THE BOTTOM



CONCEPT ONLY

PROPRIETARY AND CONFIDENTIAL
 THE INFORMATION CONTAINED IN THIS
 DRAWING IS THE SOLE PROPERTY OF
 PLASTICITY S.r.l. ANY REPRODUCTION
 IN PART OR AS A WHOLE WITHOUT
 THE WRITTEN PERMISSION OF
 PLASTICITY S.r.l. IS PROHIBITED.

UNLESS OTHERWISE SPECIFIED:		NAME	DATE
DIMENSIONS ARE IN INCHES		DRAWN	DP
TOLERANCES:		CHECKED	11 JAN 08
FRACTIONAL \pm 1/64		ENG APPR.	
TWO PLACE DECIMAL \pm .015		MFG APPR.	
THREE PLACE DECIMAL \pm .004		Q.A.	
INTERPRET GEOMETRIC TOLERANCING PER:		COMMENTS:	
MATERIAL		PLASTICITY SRL# 07-0228b	
FINISH		PET	
NEXT ASSY	USED ON	M28 SP400	
APPLICATION		DO NOT SCALE DRAWING	

Ocean State Packaging (401) 884-4400		
TITLE: 12oz / 375ml WINE / SYRUP		
SIZE	DWG. NO.	REV
C	PL-0156A-08	
SCALE: 1:1	WEIGHT: 30.0g	SHEET 1 OF 1