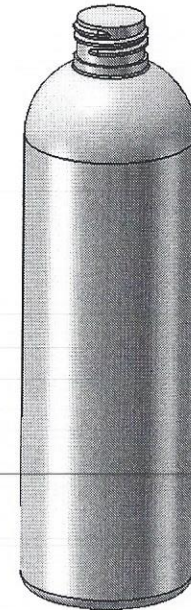
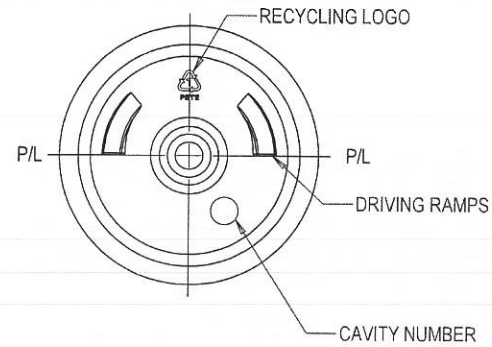
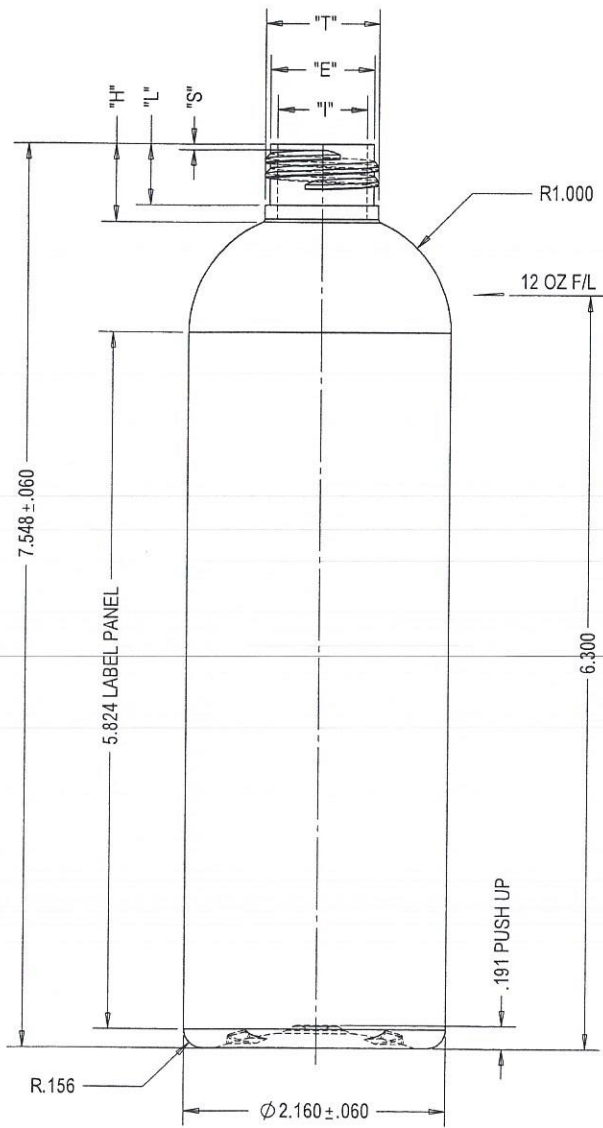


NO.	DESCRIPTION	DATE



"T" .932 ± .008	HELIX ANG. 2°34'	NAME	DATE	TITLE: 355 ML/12 OZ BULLET ROUND	
"E" .848 ± .008	CUTTER DIA. .375	DRAWN	CAD1 MAY 06/16		DWG. NO. IBC-1045-V01-R01
"S" .046 ± .015	T.P.I. 8	CHECKED			
"L" .512 MIN	PITCH .125	ENG APPR.			
"H" .646 ± .015	THREAD TURNS 2	MFG APPR.			
"I" .732		Q.A.			
"W"		MATERIAL: PETE	WEIGHT: 27G ± 1G		
		FILL CAPACITY: 355ML ± 9ML	O/F CAPACITY: 377ML ± 9ML	SCALE: 1:1	