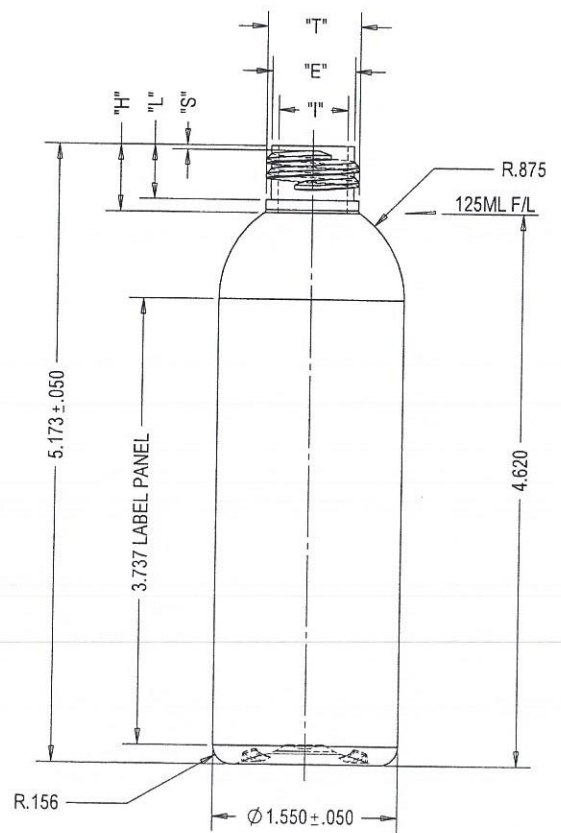
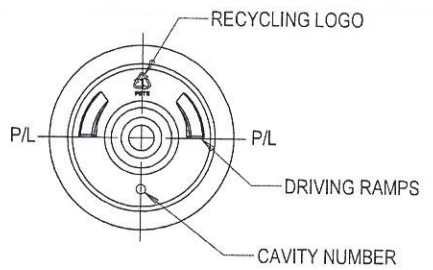


NO.	DESCRIPTION	DATE



AVAILABLE:

- 1. SKU# 1020, CLEAR



"T" .775 ± .008	HELIX ANG. 3° 7'	DRAWN	NAME	DATE	TITLE: 120 ML/4 OZ BULLET ROUND
"E" .691 ± .008	CUTTER DIA. .375	CHECKED	CAD1	JAN 04/16	
"S" .037 ± .015	T.P.I. 8	ENG APPR.			
"L" .456 MIN	PITCH .125	MFG APPR.			
"H" .554 ± .015	THREAD TURNS 2	Q.A.	MATERIAL:	PETE	DWG. NO.
"I" .578		WEIGHT:	15G ± 1G		IBC-1008-V01-R01
"W"		FILL CAPACITY:	125ML ± 5ML		
	NECK FINISH M20-SP410	O/F CAPACITY:	128ML ± 5ML		SCALE: 1:1