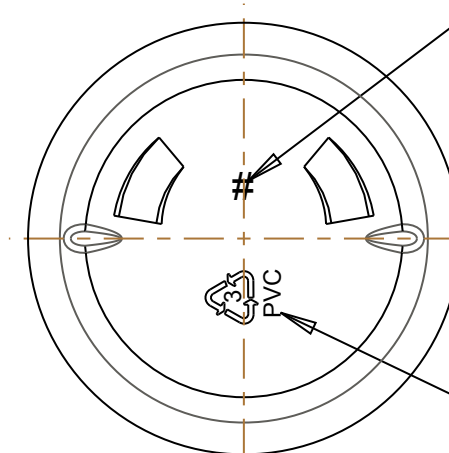
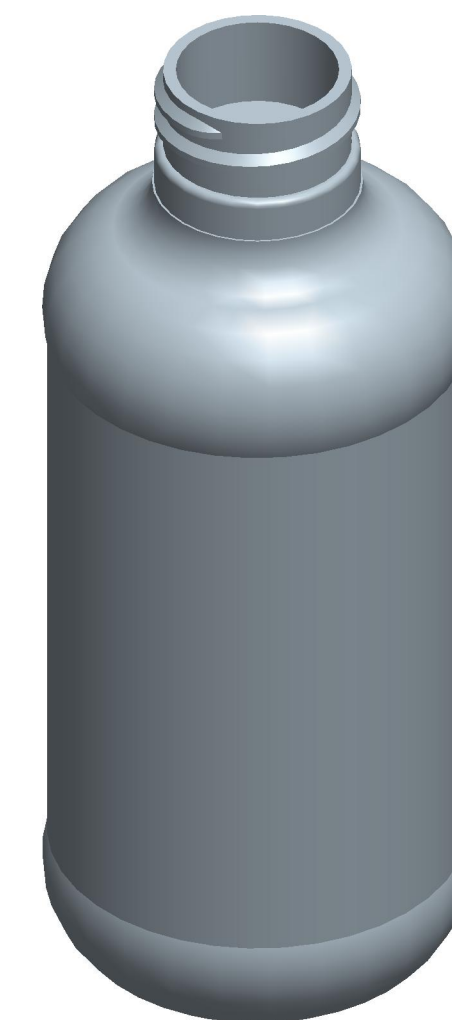
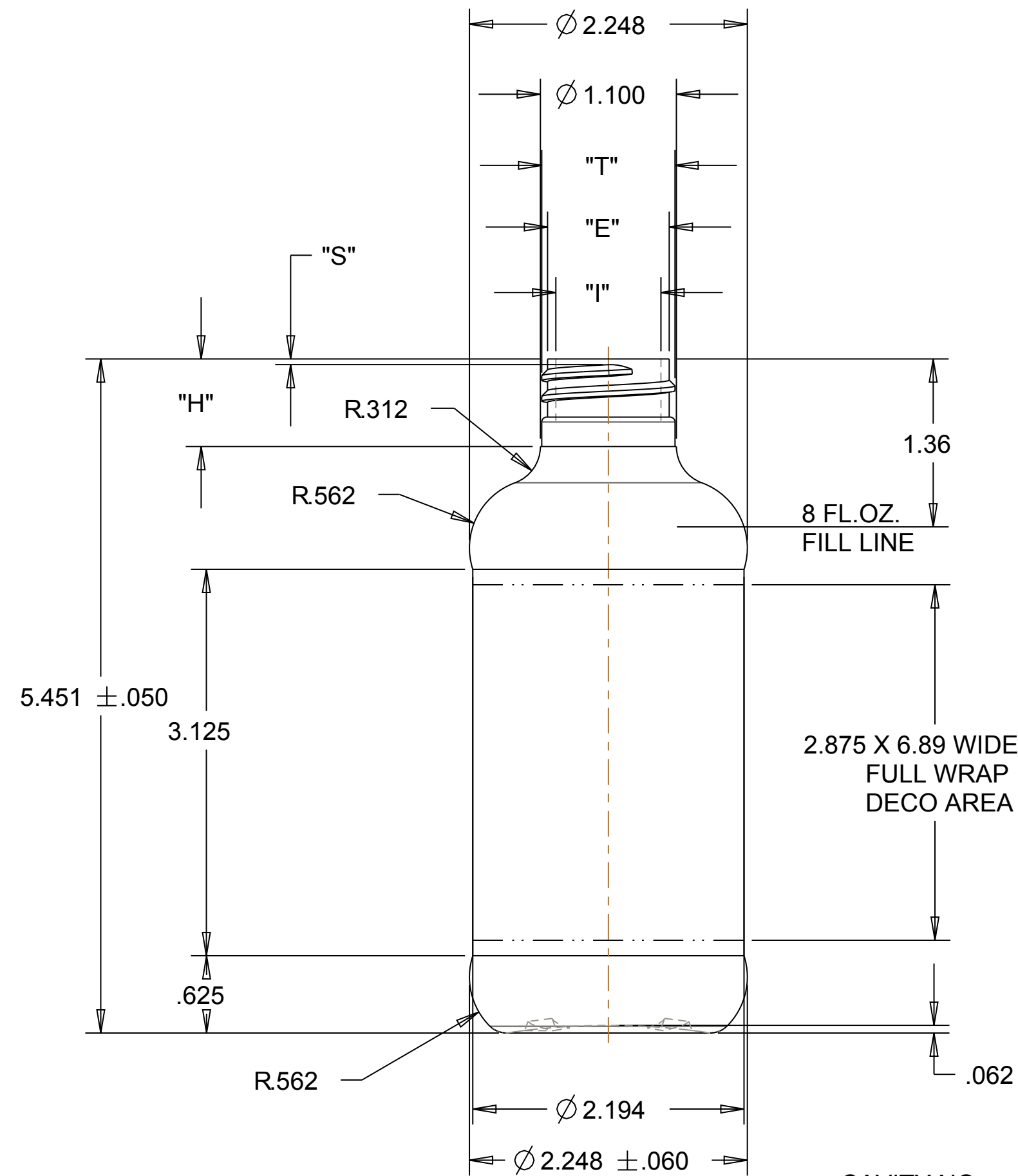
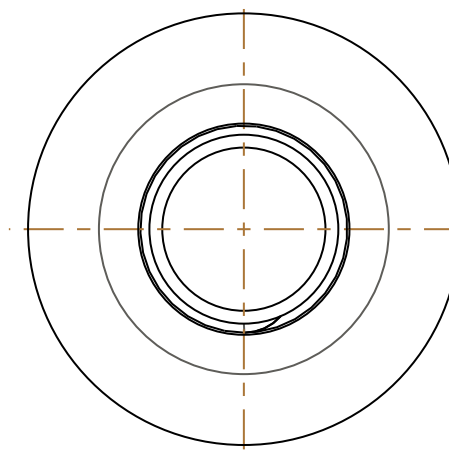


NECK FINISH	BOTTLE WEIGHT ±1.5 GRM	OVERFLOW CAPACITY ±7 CC	"T" DIA.	"E" DIA.	"H" DIM.	"S" DIM.	"I" DIA.
28-410	25.0	264.0	1.088 1.068	.994 .974	.723 .693	.061 .031	.614 MIN.

DATE	SYM	REVISION	BY



CAVITY NO.

MATERIAL CODE

OCEAN STATE PACKAGING EXTRUSION AND INJECTION BLOW MOLDED BOTTLES			
TOL	TITLE		
S.P.I.	8 OZ RECESSED ROUND		
DATE	DRAWING NO.	REV	
9/28/11	SS-1145-OS		