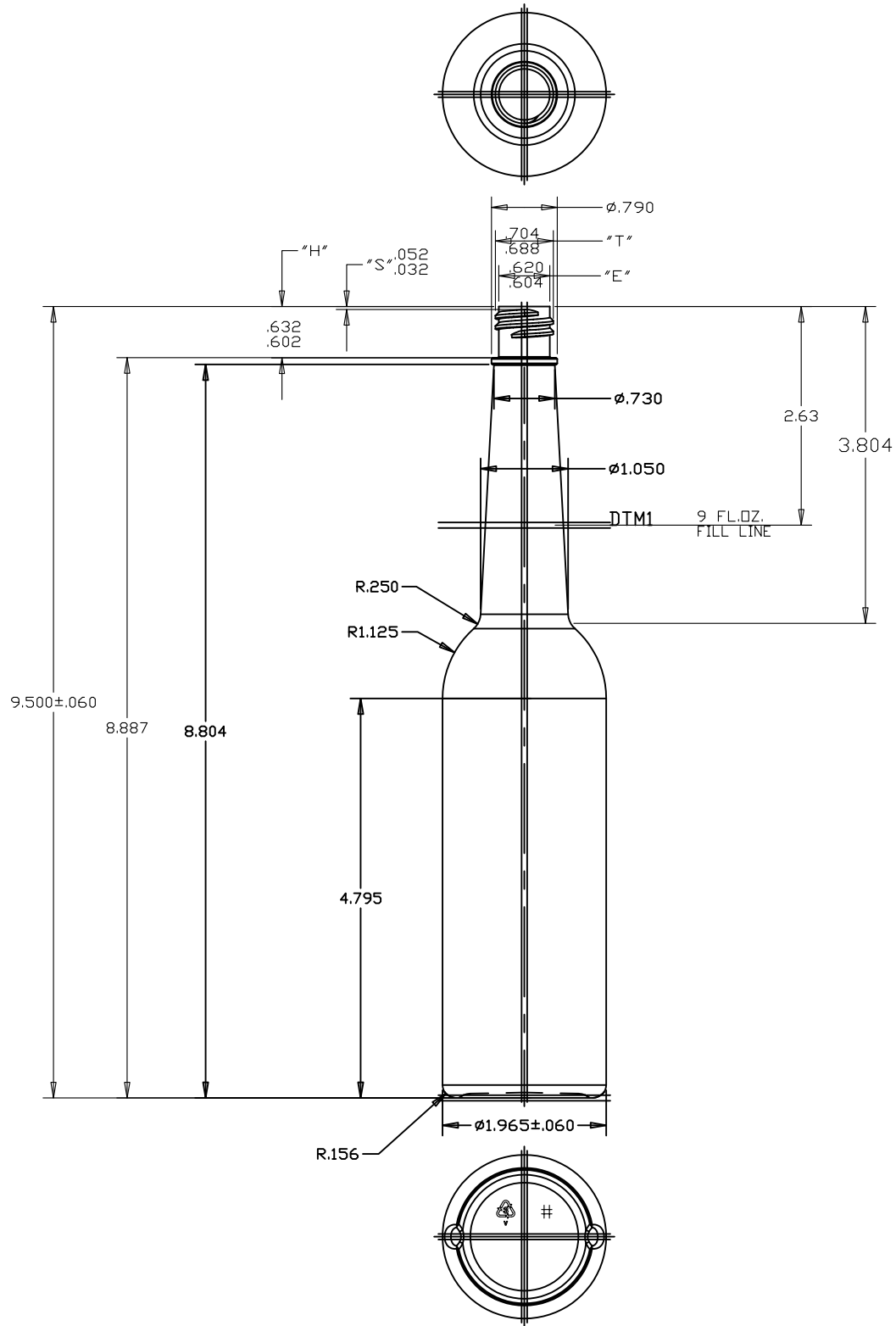


DATE	SYM	REVISION RECORD	AUTH	DR	CK
9/24/08	A	HEIGHT WAS 8.669			KN
		OVERFLOW CAP WAS 289 CC			
		3.73 WAS 2.90			
9/24/08	B	OVERFLOW CAP WAS 297.6			KN
		1.965 DIA. WAS 2.014			
		2.63 FILL LINE WAS 3.73			



ESTIMATED BOTTLE WIEGHT - 30.0 ± 1.5 GRAMS  
OVERFLOW CAPACITY - 283.7 ± 7 CC  
M18SP415 NECK FINISH

TOLERANCES (EXCEPT AS NOTED)		OCEAN STATE PACKAGING CO., LLP			
DECIMAL	MATERIAL	SCALE	DRAWN BY		
S.P.I.	PVC	FULL	APPROVED BY		
FRACTIONAL	TITLE				
S.P.I.	9 OZ. LONG NECK ROUND				
ANGULAR	DATE	DRAWING NUMBER	REVISION		
S.P.I.	6-19-08		B		