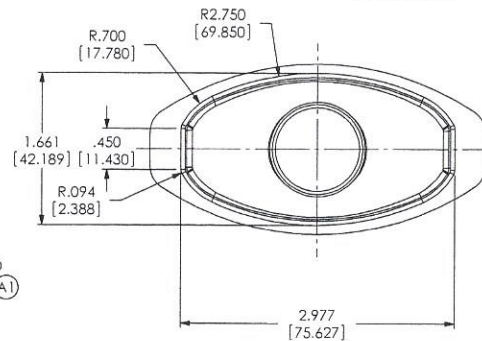
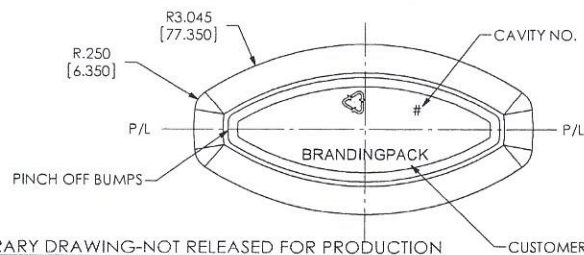


A1	CDL	CUSTOMER LOGO ADDED TO BASE	AUG.27/07		
No.	Rev.No.	Description	Date		
		Neck Finish: 28mm SNAP OVER CAP	Gram Wt.: 47 ±1.5		
'T'	'E'	'H'	'S'	'L'	'W'
HELIX ANGLE: _____		T.P.I.: _____		CUTT. DIA.: _____	
Capacity to fill level before decorating _____					
Capacity to fill level after decorating _____					
Overflow Capacity before decorating 640ml ±13					
Overflow capacity after decorating _____					
Product design to be approved before mould cavities are machined.					
Drawn By: 001		Desc. 20oz. STYLING GEL			
Scale: 1-1		Date: AUG.22/07		Drawing No. 12-7928-PA	
Bottle Mat'l: PVC		Mould No. _____			
Cad Name: _____					



TEMPORARY DRAWING-NOT RELEASED FOR PRODUCTION
 This is a suggested design for customer approval.
 Final sizes and volume are subject to moulding
 specifications and production qualifications.

Drawing checked specifically for:
 Neck finish:
 Weight:
 Capacity:
 Material:
 Special Requests:
 Approved BY:
 Date:
 This drawing subject to standard industry tolerances S.P.I