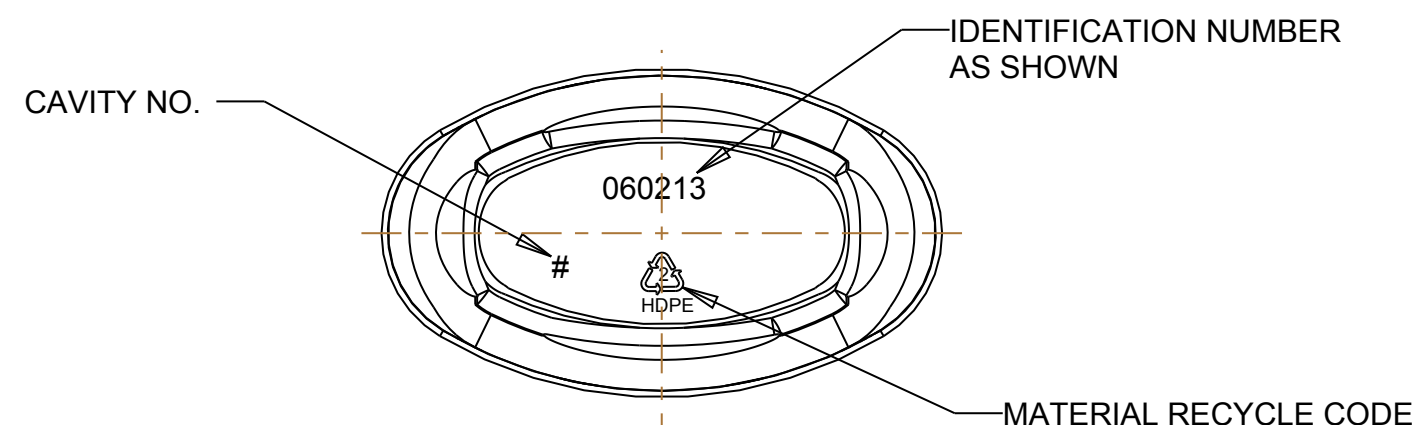
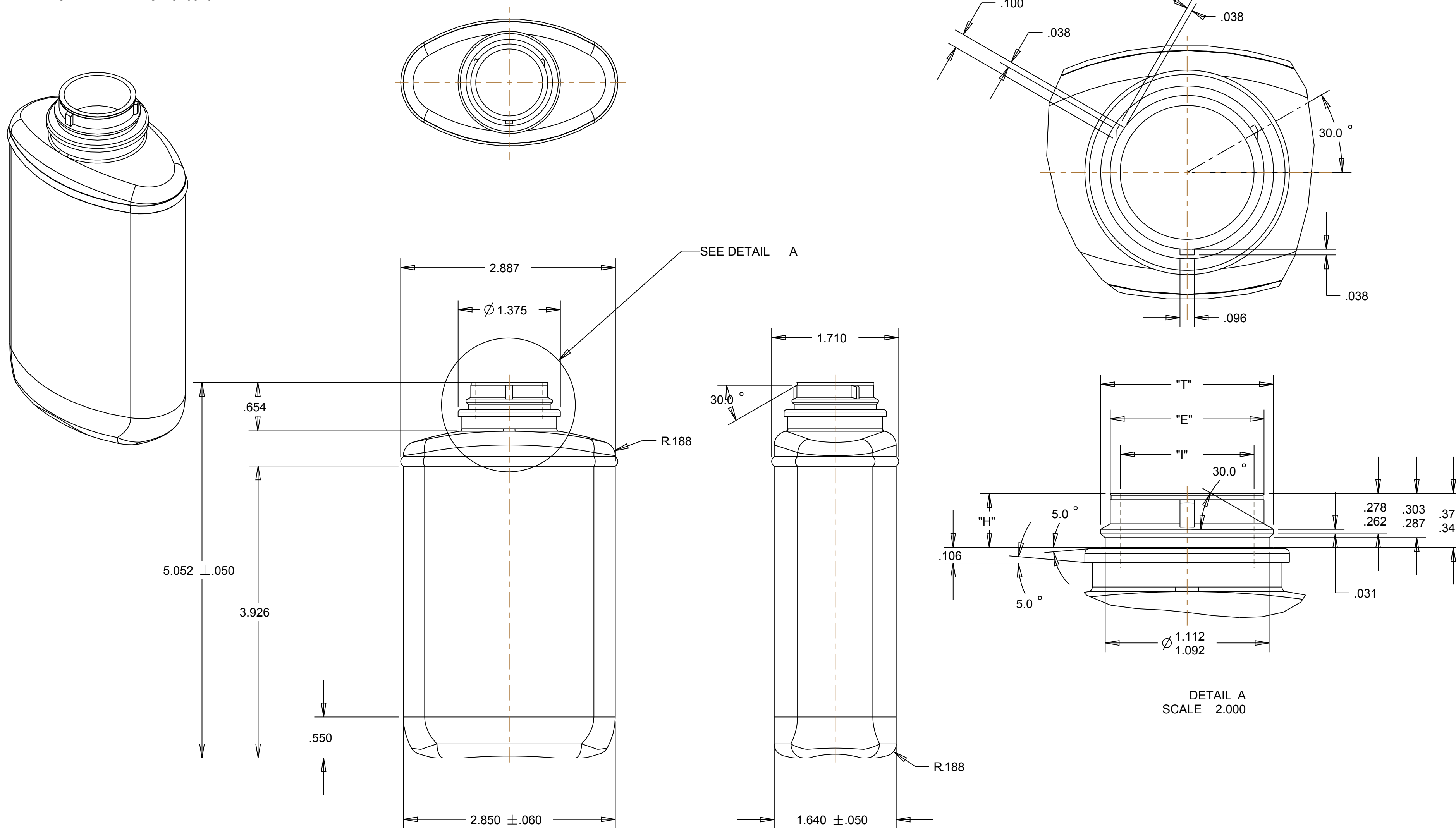


NECK FINISH	BOTTLE WEIGHT ±1.5 GRAMS	OVERFLOW CAPACITY ±7 CC	"T" DIA.	"E" DIA.	"H" DIM.	"I" DIA.
33MM PTI CAP*	22.0	246.1	1.172 1.152	1.044 1.024	.373 .350	.791 MIN.

DATE	SYM	REVISION	BY
6/11/13	A	ADDED NECK DETAIL	KSN
6/13/13	B	ADDED IDENTITY NO.	KSN

*REFERENCE PTI DRAWING NO. 35461 REV B



DETAIL A
SCALE 2.000

OCEAN STATE PACKAGING EXTRUSION AND INJECTION BLOW MOLDED BOTTLES			
TOL	TITLE		
S.P.I.	4 OZ POWDER OVAL		
DATE	DRAWING NO.	REV	
5/28/13	SS-1222-OS	B	