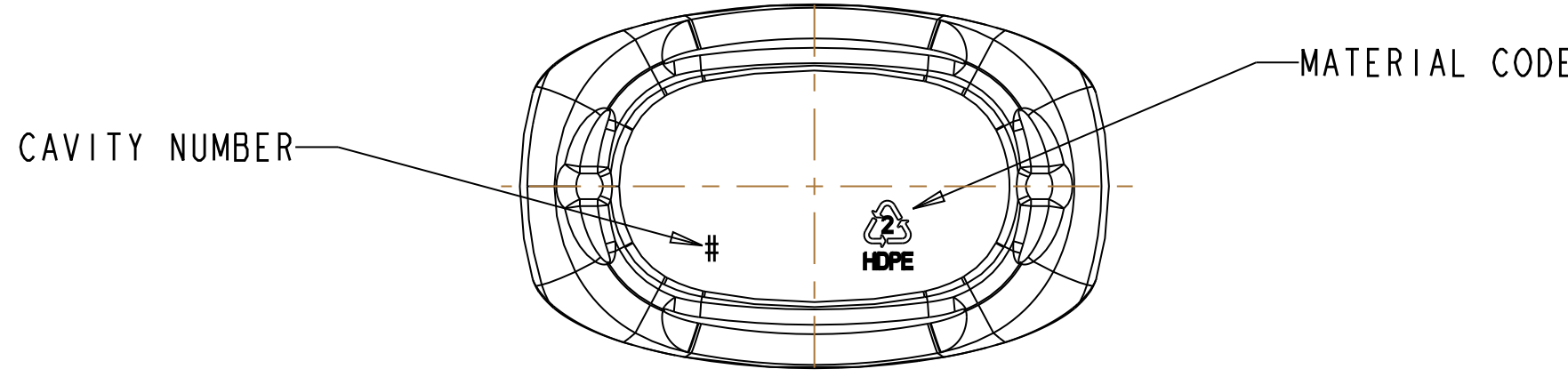
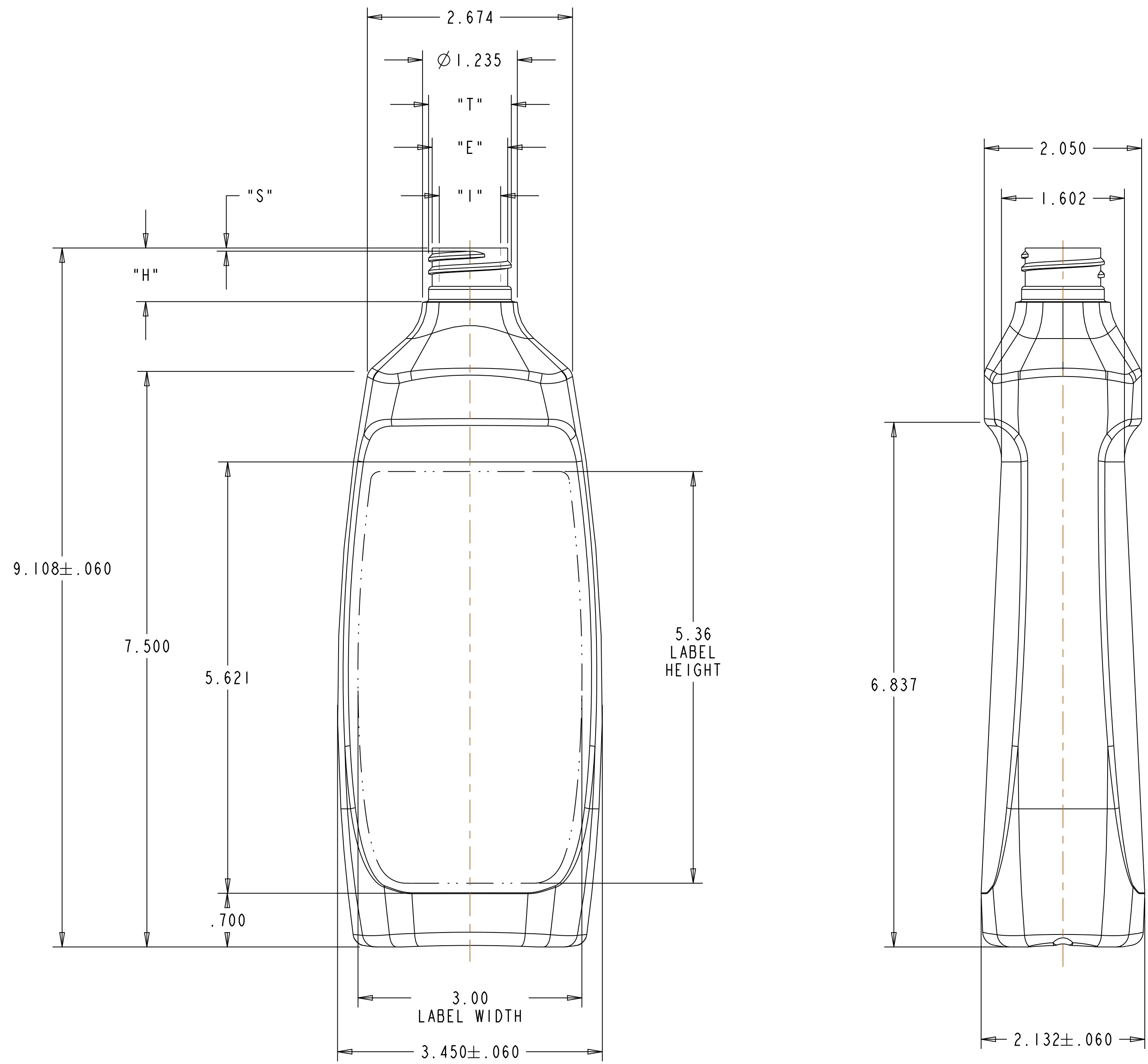
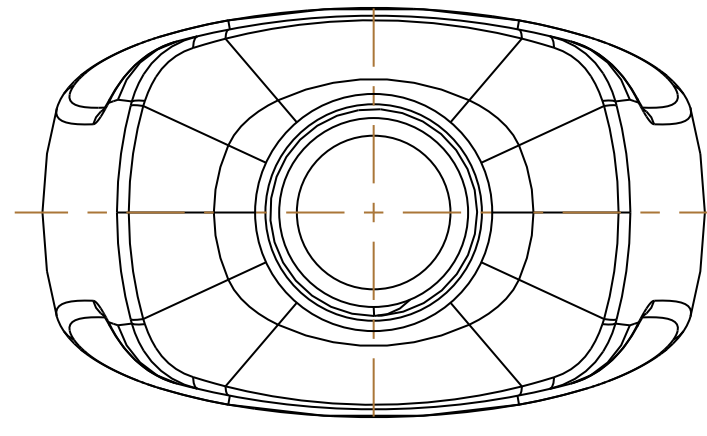


| NECK FINISH | BOTTLE WEIGHT ±2 GRAMS | OVERFLOW CAPACITY ±13 CC | "T" DIA. | "E" DIA. | "H" DIM. | "S" DIM. | "I" DIA. |
|-------------|---------------------------|-----------------------------|----------------|--------------|--------------|--------------|--------------|
| 28-410 | 42.0 | 638.3 | 1.088 1.068 | .994 .974 | .723 .693 | .061 .031 | .614 MIN. |

| DATE | SYM | REVISION | BY |
|------|-----|----------|----|
| | | | |
| | | | |
| | | | |
| | | | |



| OCEAN STATE PACKAGING EXTRUSION AND INJECTION BLOW MOLDED BOTTLES | | | |
|--|---------------------------|----------------|-------------------|
| TOL S.P.I. | TITLE 26 OZ SOFT SCRUB | DATE 6/8/11 | REV SS-1120-OS |