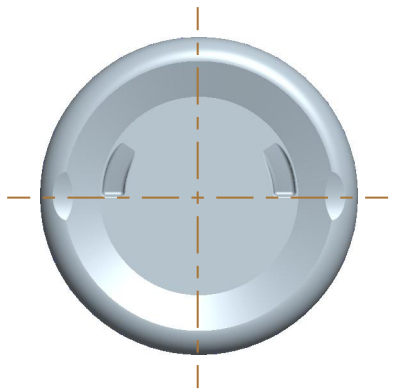
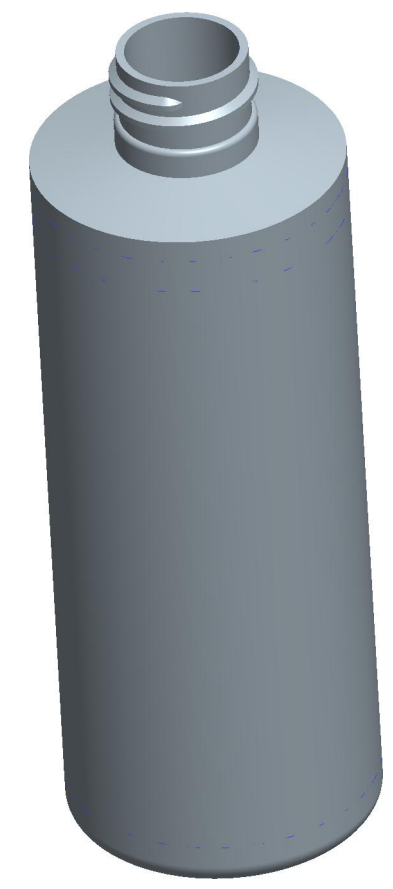
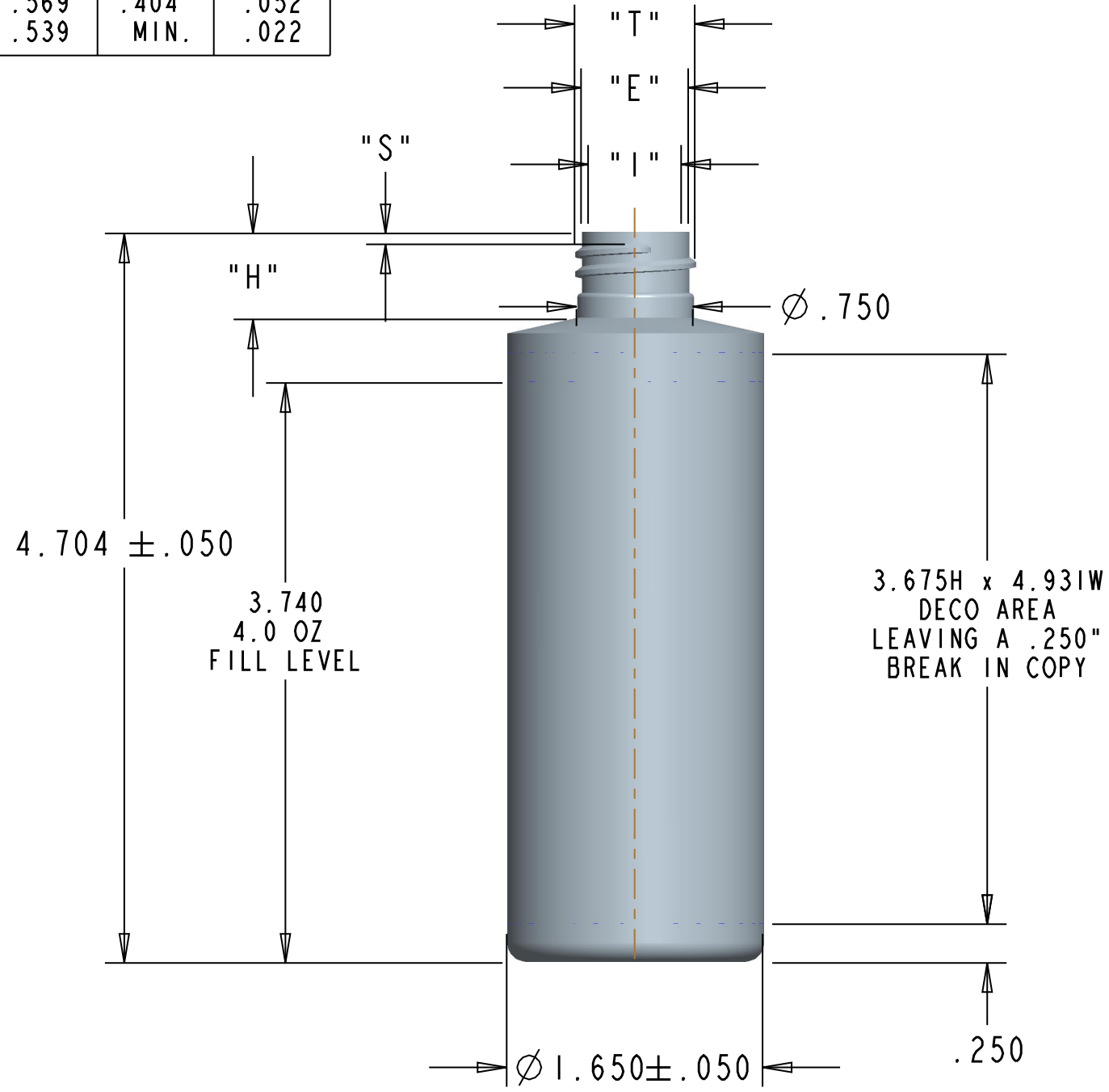


NECK FINISH	GRAM WEIGHT ±1.0 GR	OVERFLOW CAPACITY	"T"	"E"	"H"	"I"	"S"
M20SP410	14.0	132.0 CC	.783 .767	.699 .683	.569 .539	.404 MIN.	.052 .022

4 OZ CYL RD M20SP410			
ENGINEER	DESIGNER	DATE	REV
DSC	KSN	04-06-11	A
INITIAL RELEASE			
INSPECTED:			



DRAWING NO: SS-1110-OS	OCEAN STATE PACKAGING EXTRUSION AND BLOW MOLDED BOTTLES
TOL: SP1	4 OZ CYLINDER ROUND WITH M20SP410 NECK FINISH