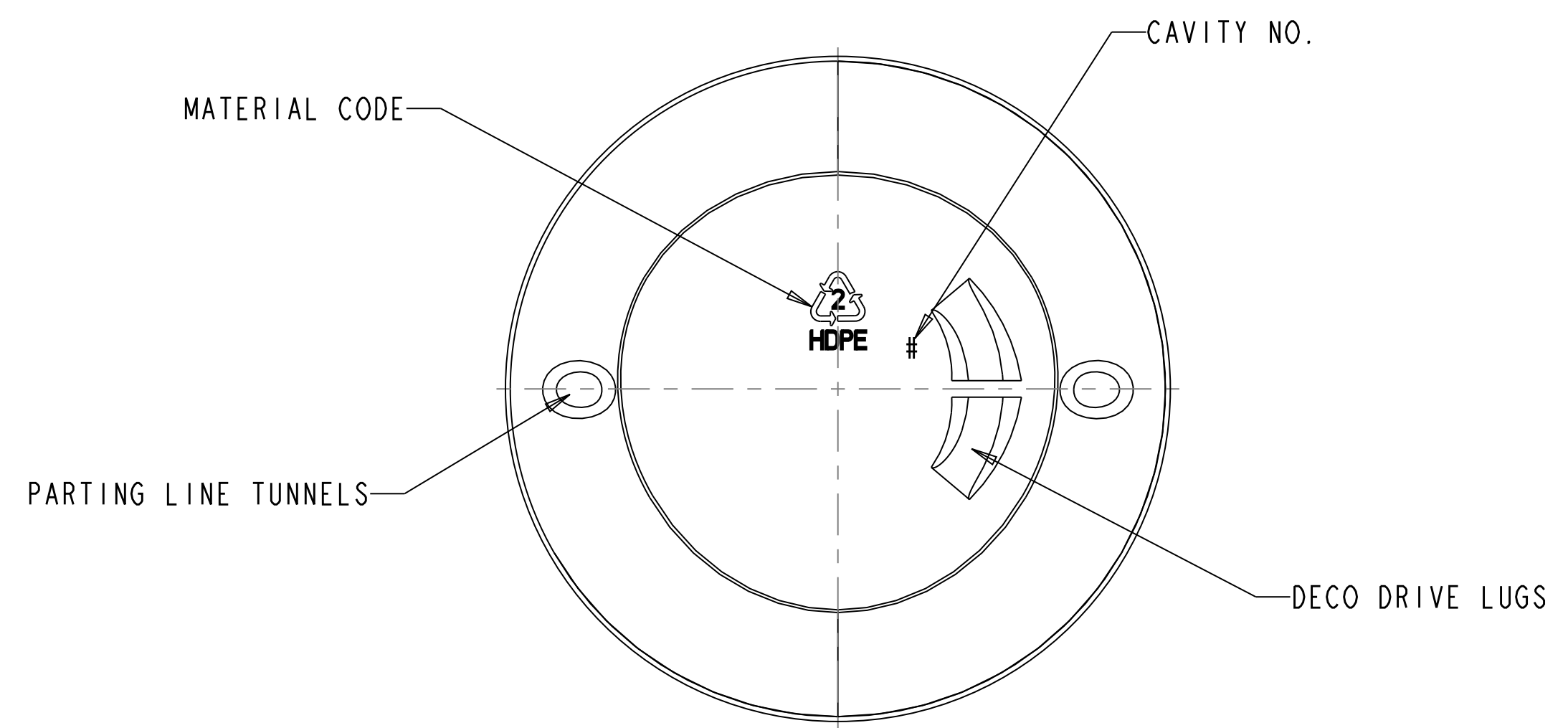
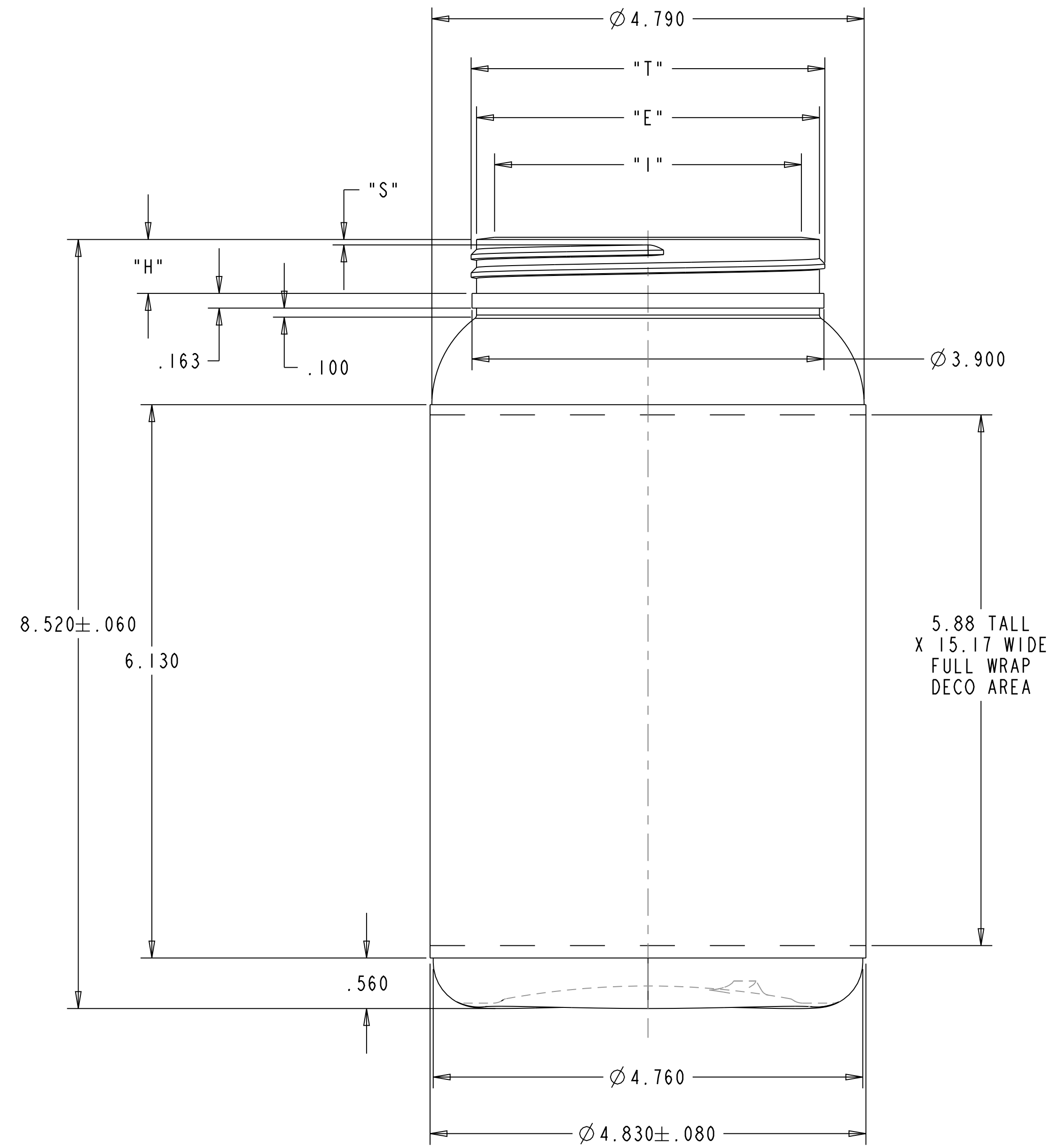


NECK FINISH	BOTTLE WEIGHT ±4.5 GRAMS	OVERFLOW CAPACITY ±30 CC	"T" DIA.	"E" DIA.	"H" DIM.	"S" DIM.	"I" DIA.
100-400	92.0	2283.9	3.937 3.902	3.817 3.782	.612 .582	.075 .045	3.344 MIN.

DATE	SYM	REVISION	BY



- NOTE:
- 80 OZ. NET WEIGHT TO BRIM OF NECK FINISH
 - 1.5 FULL TURNS OF THREAD ON NECK FINISH

OCEAN STATE PACKAGING EXTRUSION AND INJECTION BLOW MOLDED BOTTLES			
TOL	TITLE		
S.P.I.	80 OZ WIDE MOUTH JAR		
DATE	DRAWING NO.	REV	
12/28/10	SS-1089-OS		