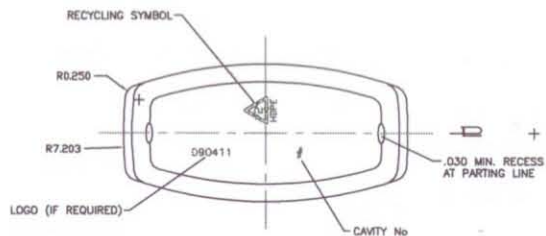
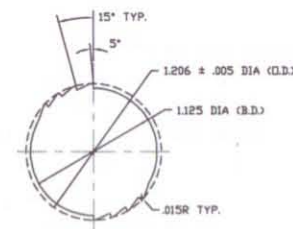
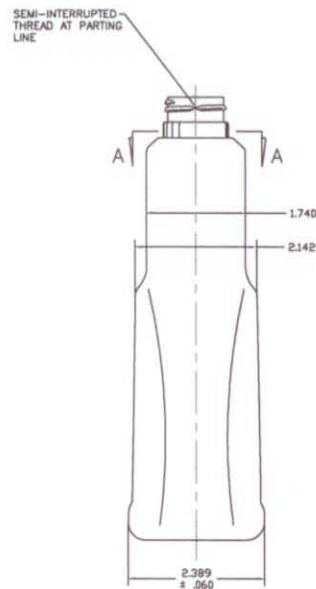
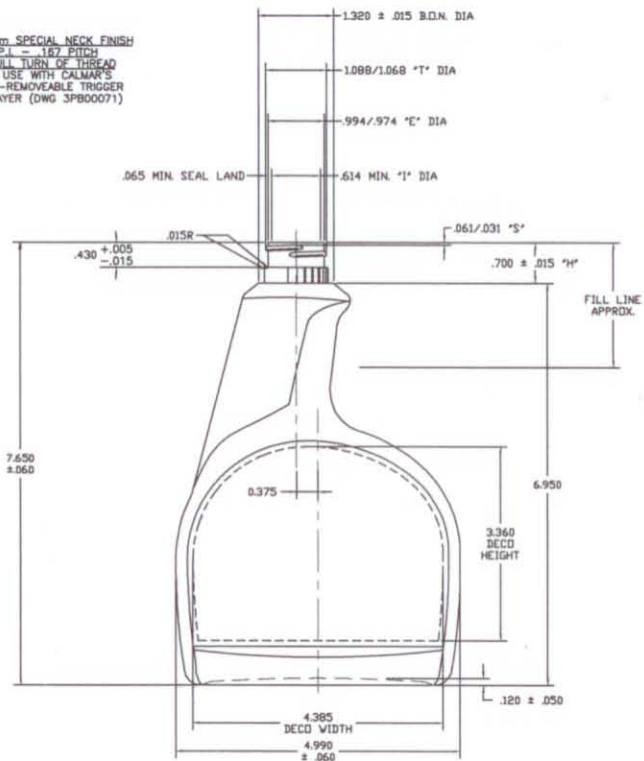


28mm SPECIAL NECK FINISH
 6 T.P.I. - 187 PITCH
 1 FULL TURN OF THREAD
 FOR USE WITH CALMAR'S
 NON-REMOVABLE TRIGGER
 SPRAYER (DWG 3PB00071)



DRAWING SPECIFICATIONS
 MATERIAL: HDPE
 WEIGHT: 42.0 ± 3.0 GRAMS
 OVERFLOW CAPACITY: 710.0 ± 15.0 ml
 SUBJECT TO PROTOTYPE AND FIRST PRODUCTION EVALUATION.

22 OZ TRIGGER SPRAYER					
DATE	BY	CHKD	APP'D	SCALE	FIG. NO.
2011-08-18				G56-A	