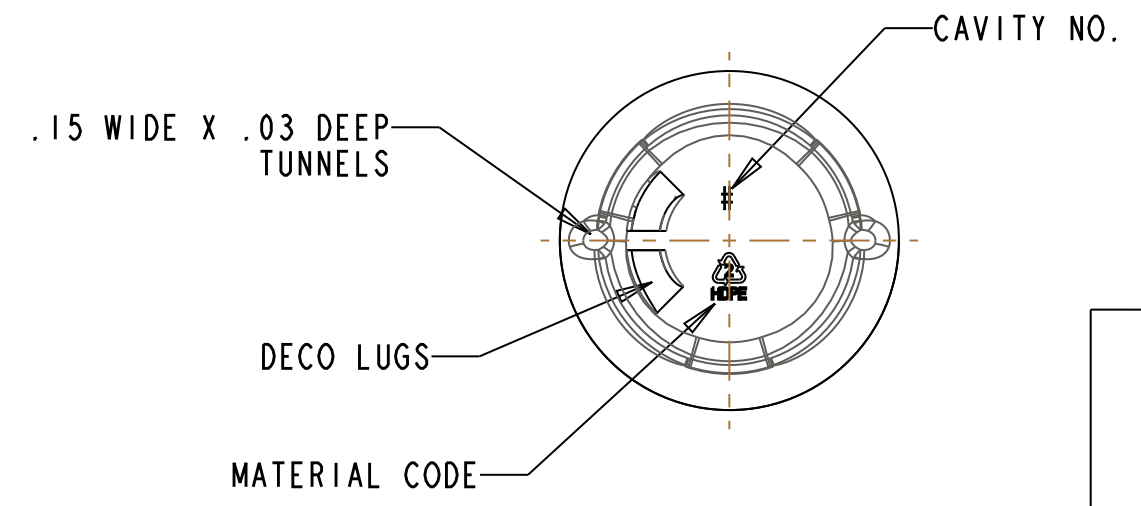
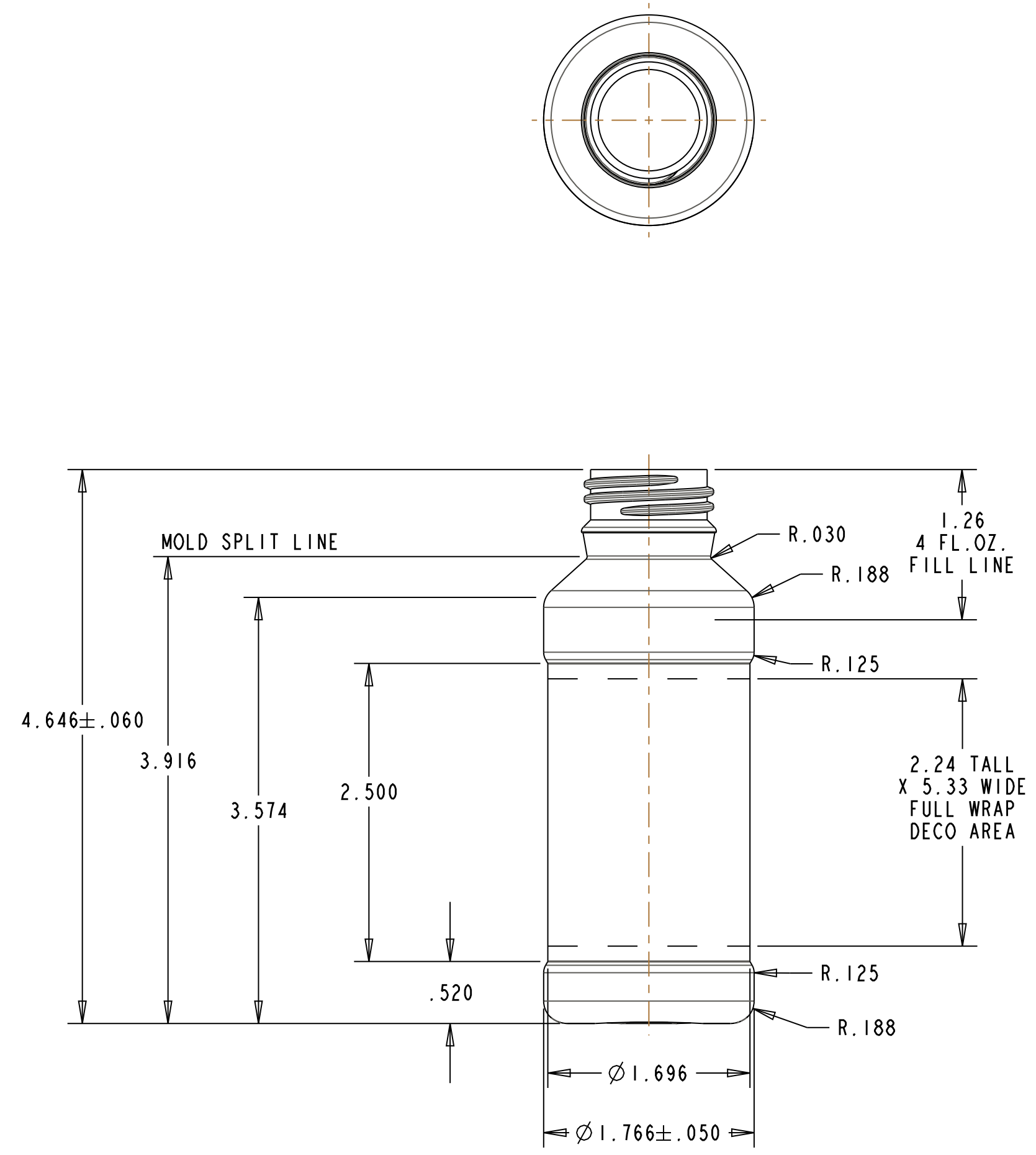
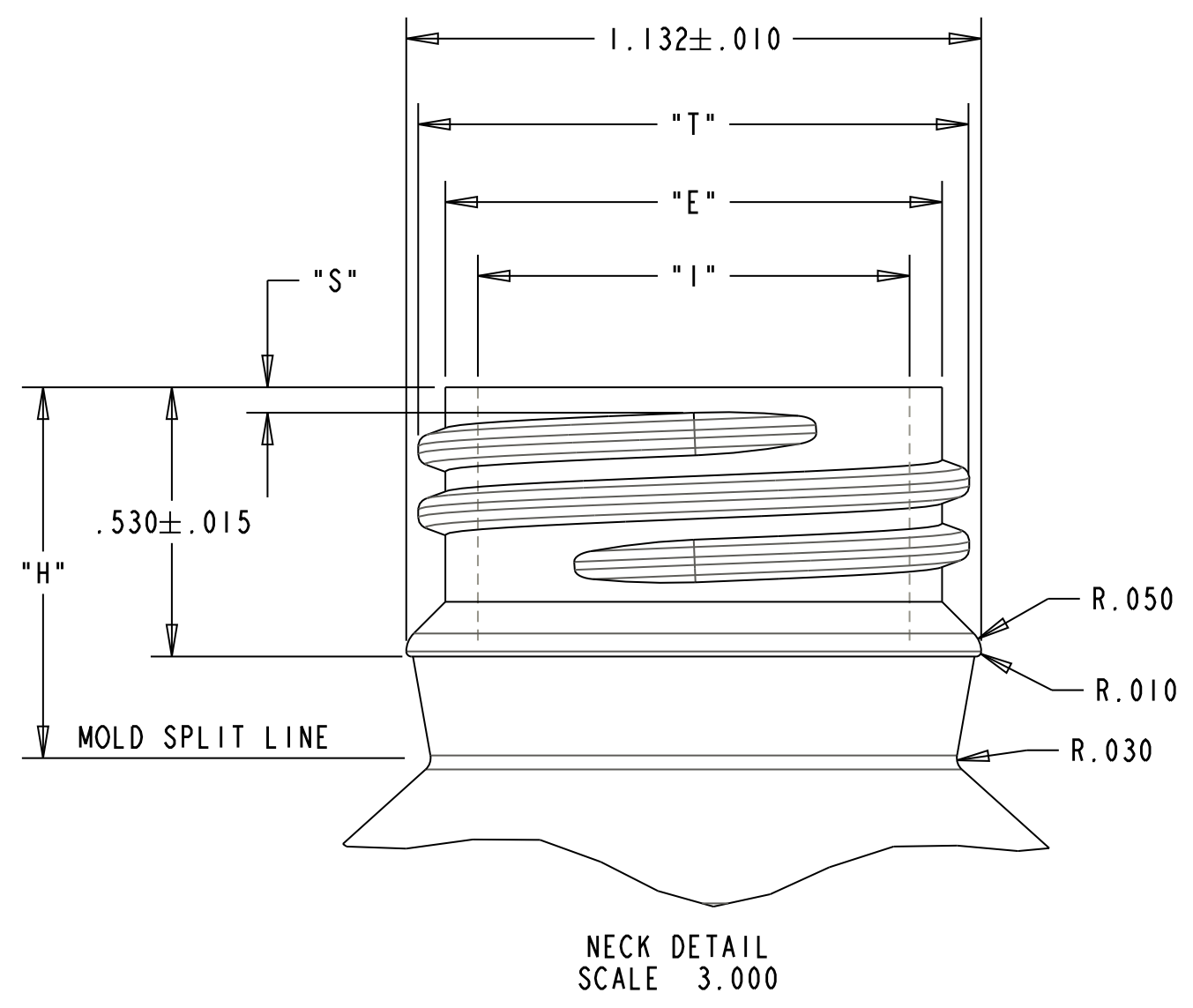


NECK FINISH	BOTTLE WEIGHT ±1.5 GRAMS	OVERFLOW CAPACITY ±5 CC	"T" DIA.	"E" DIA.	"H" DIM.	"S" DIM.	"I" DIA.
28 MM HOFFER	12.0	140.0	1.095 1.075	.988 .968	.745 .715	.065 .035	1.500 1.480

DATE	SYM	REVISION	BY



OCEAN STATE PACKAGING EXTRUSION AND INJECTION BLOW MOLDED BOTTLES			
TOL	TITLE		
S.P.I.	4 OZ MODERN ROUND		
DATE	DRAWING NO.	REV	
6/28/10	SS-1124-OS		