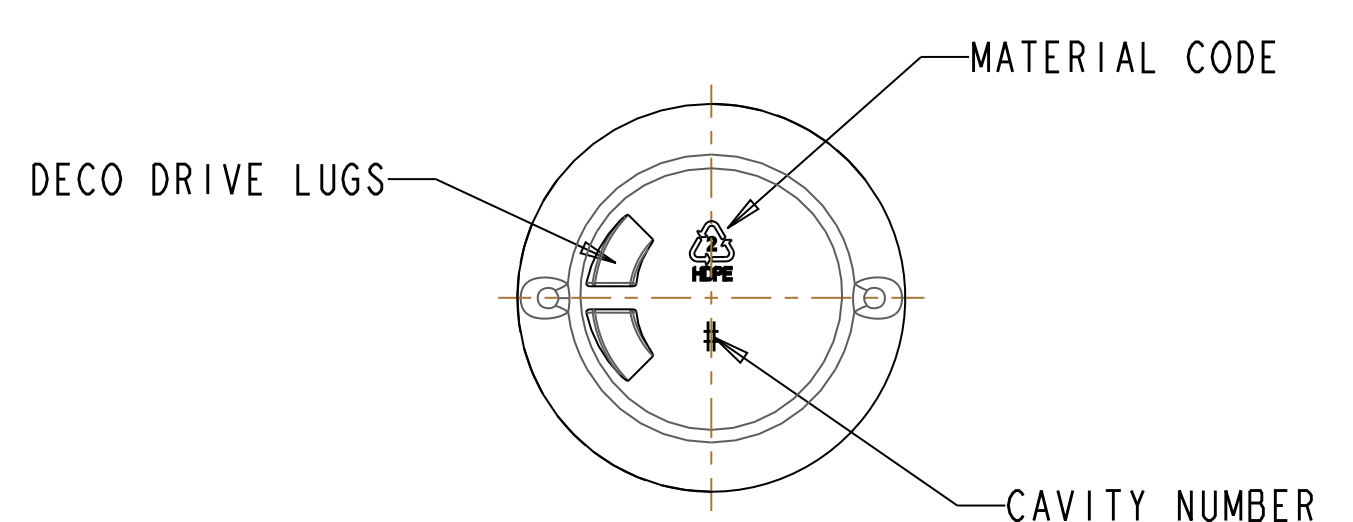
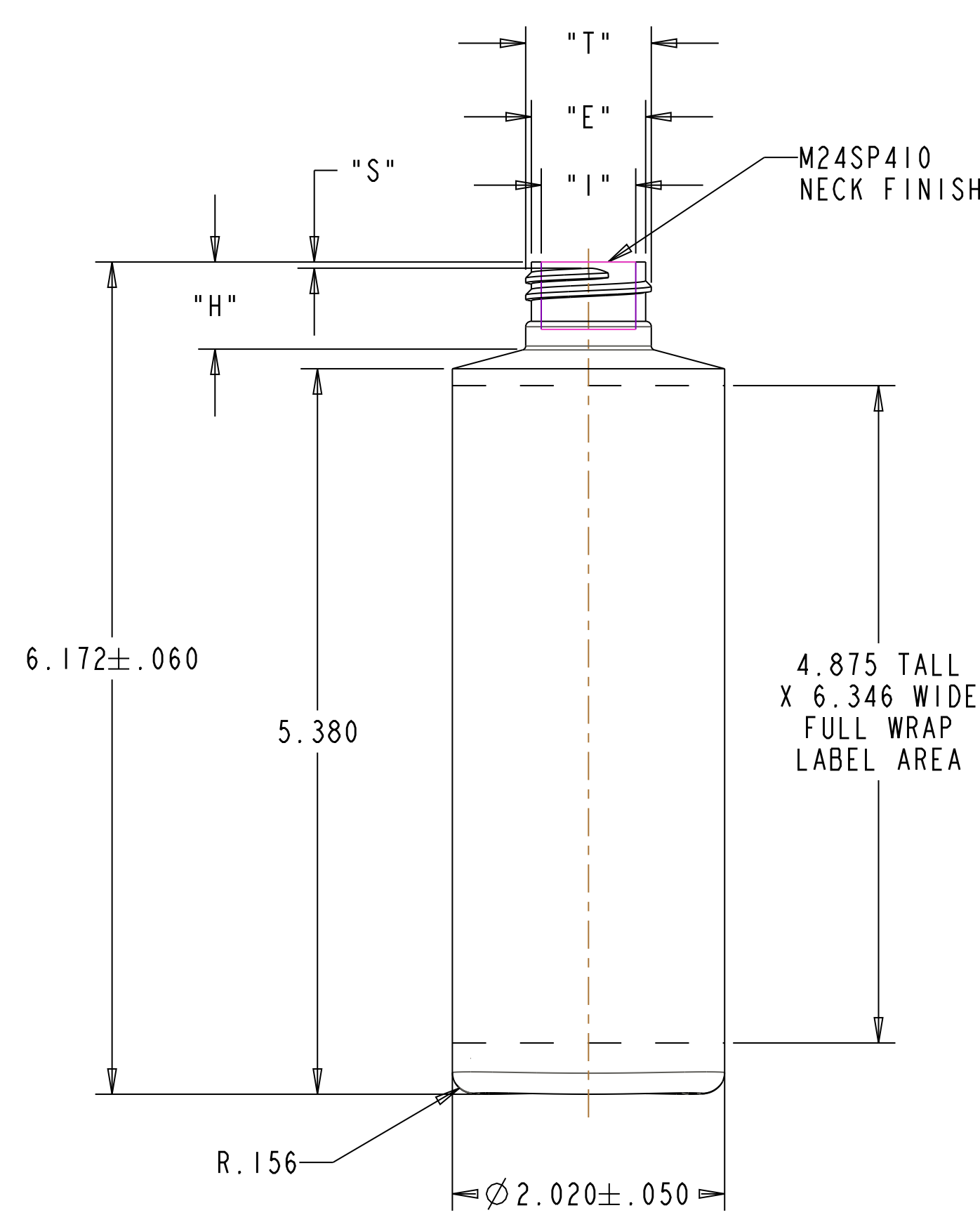
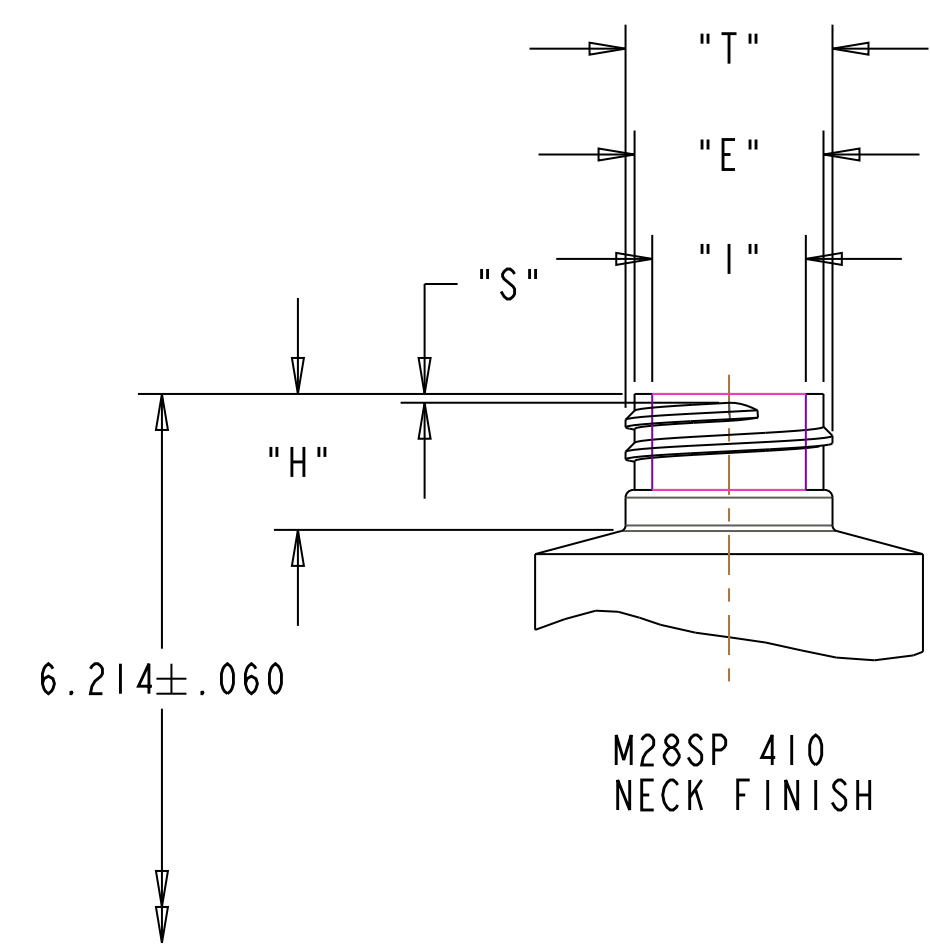
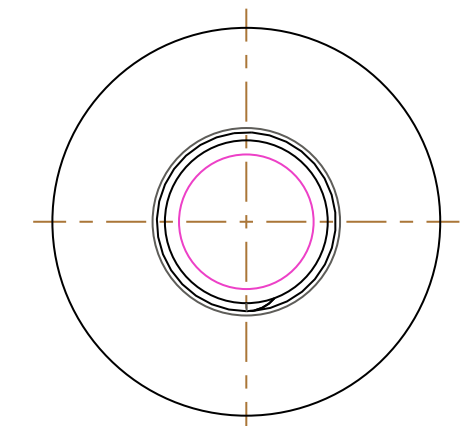


NECK FINISH	BOTTLE WEIGHT ±1.5 GRAMS	OVERFLOW CAPACITY ±7 CC	"T" DIA.	"E" DIA.	"H" DIM.	"S" DIM.	"I" DIA.
M24SP410	20.0	268.9	.940 .924	.856 .840	.661 .631	.061 .031	.516 MIN.
M28SP410	21.0	270.7	1.088 1.068	.994 .974	.723 .693	.061 .031	.614 MIN.

DATE	SYM	REVISION	BY



OCEAN STATE PACKAGING EXTRUSION AND INJECTION BLOW MOLDED BOTTLES			
TOL S.P.I.	TITLE 8 OZ CYLINDER ROUND		
MAT HDPE	DATE 1/4/11	DRAWING NO. SS-1094-OS	REV