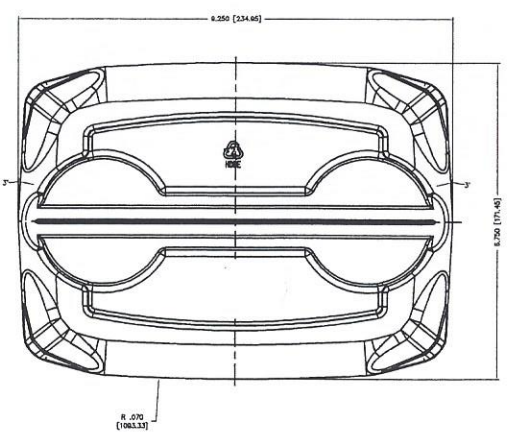
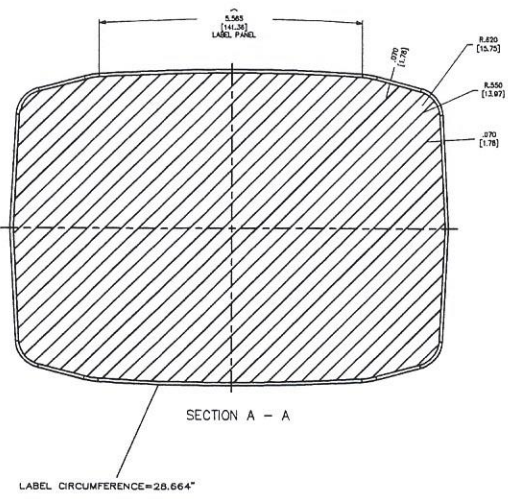


FOR REFERENCE ONLY



- NOTE:
- 1) CONTAINER SPECIFICATIONS PER STANDARD INDUSTRY TOLERANCES.
 - 2) DIMENSIONS IN BRACKETS ARE IN MILLIMETRES.
 - 3) PRODUCT & PACKAGING COMPATIBILITY IS TO BE DETERMINED BY USER.
 - 4) CONTAINER DIMENSIONS MAY CHANGE ACCORDING TO WEIGHT & COLOR.

NECK FINISH: L63-SP400 SPECIAL						GRAM WT. 230±15g
'T'	'E'	'H'	'S'	'L'	'W'	
2.444±.017	2.350±.017	.610±.015	.045±.015	_____	_____	
62.08±0.43	59.69±0.43	15.49±0.38	1.14±0.38	_____	_____	
HELIX < : 1' 16'		T.P.I. : 6		CUTT. DIA. : .500		

DRAWING CHECKED SPECIFICALLY FOR:	CAPACITY TO FILL LEVEL BEFORE DECORATING 6L ±100ml	
	CAPACITY TO FILL LEVEL AFTER DECORATING _____	
NECK FINISH	OVERFLOW CAPACITY BEFORE DECORATING 7.47L ±100ml	
WEIGHT.....	OVERFLOW CAPACITY AFTER DECORATING _____	
CAPACITY.....		
MATERIAL		
SPECIAL REQUESTS ...		
PRODUCT DESIGN TO BE APPROVED BEFORE MOULD CAVITIES ARE MACHINED		
APPROVED BY	DRAWN BY: CML	DESC. 6L F STYLE HANDLE
DATE	SCALE: 1:1	DATE: DEC 09/13
This drawing subject to standard industry tolerances S.P.1	BOTTLE MAT'L: HDPE	DRAWING NO. 48-37030-P
	CAD NAME: PD\48-37030-P	MOULD NO. MMP# 1073SAFC
		CML MOULD NO. 48-37030-6