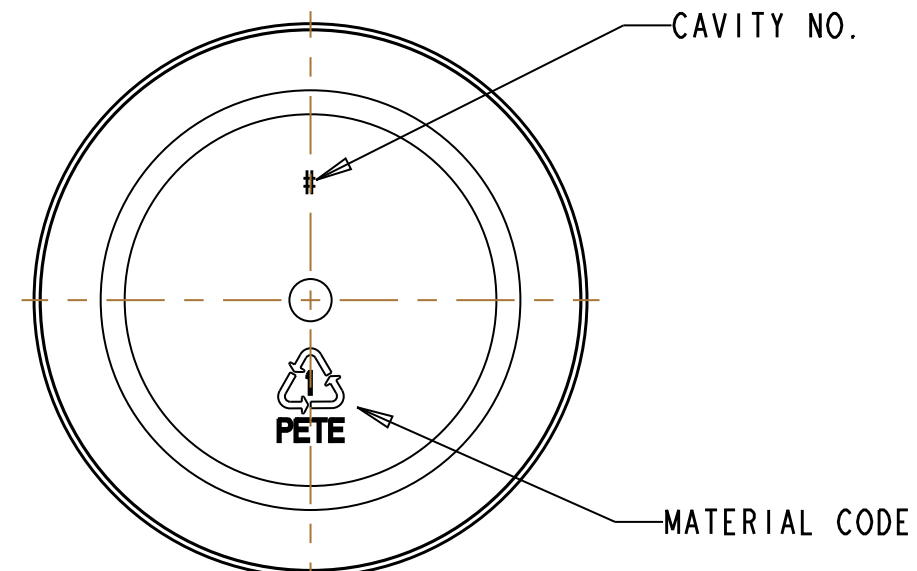
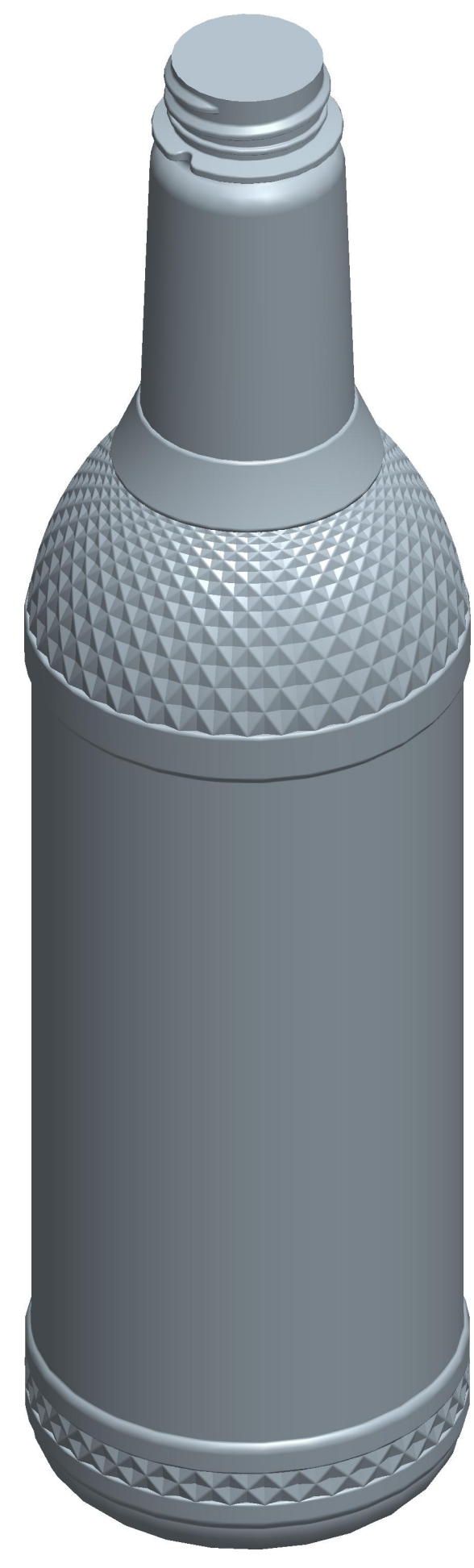
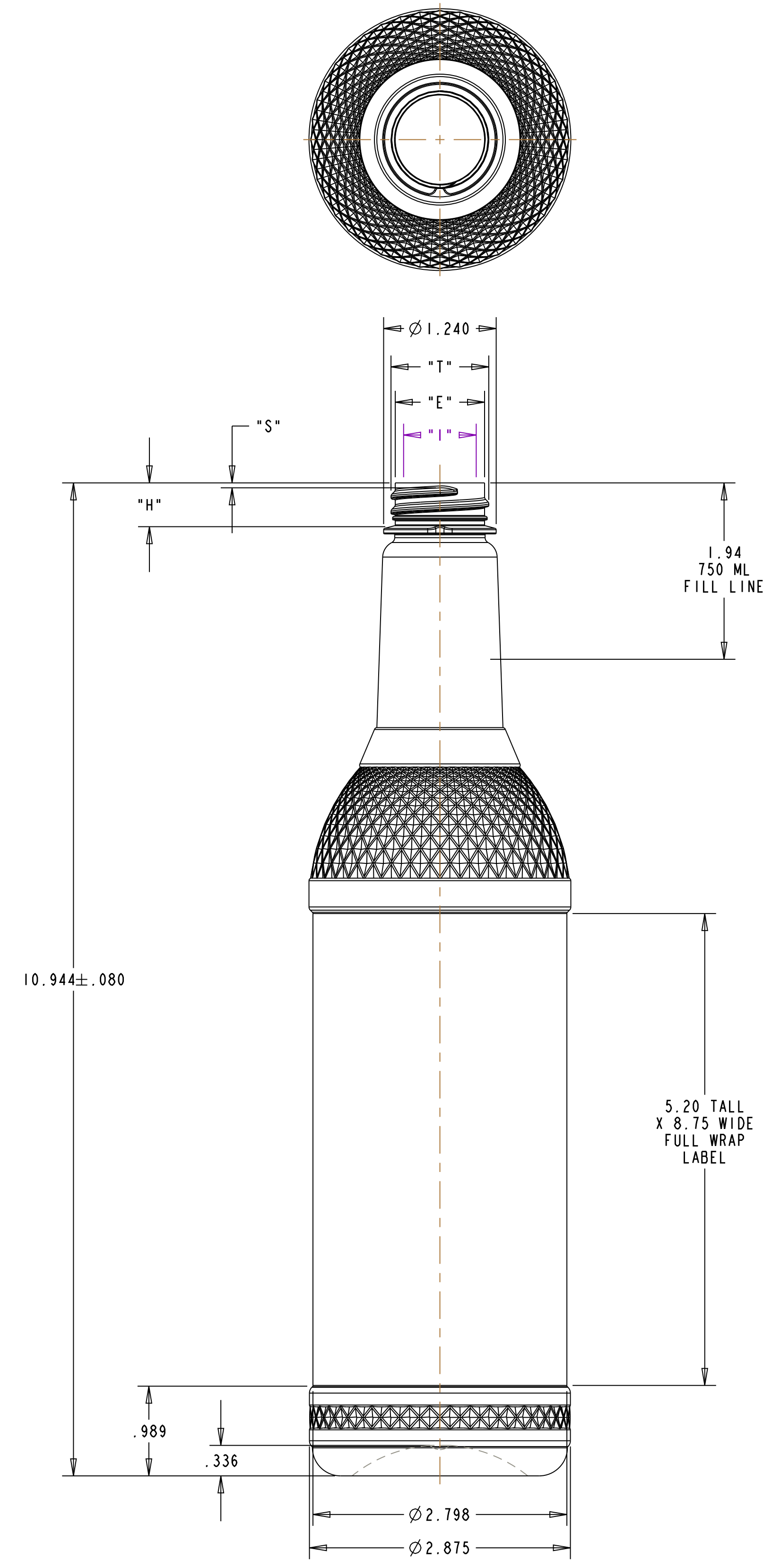


| NECK FINISH | BOTTLE WEIGHT ±1.5 GRAMS | OVERFLOW CAPACITY ±13 CC | "T" DIA. | "E" DIA. | "H" DIM. | "S" DIM. | "I" DIA. |
|-------------|-----------------------------|-----------------------------|----------------|--------------|--------------|--------------|--------------|
| 28-400 | 51.3 | 783.5 | 1.088 1.068 | .994 .974 | .498 .468 | .061 .031 | .750 MIN. |

| DATE | SYM | REVISION | BY |
|--------|-----|--------------------------------------|----|
| 9/6/11 | A | WEIGHT WAS 42.0 GRAMS | DC |
| | | ADDED LINES ABOVE AND BELOW DIAMONDS | |
| | | | |
| | | | |
| | | | |
| | | | |
| | | | |



| OCEAN STATE PACKAGING EXTRUSION AND INJECTION BLOW MOLDED BOTTLES | | | |
|--|-----------------------------|----------|--|
| TOL S. P. I. | TITLE 750 ML SYRUP ROUND | | |
| DATE 7/1/11 | DRAWING NO. SS-1125-OS | REV A | |