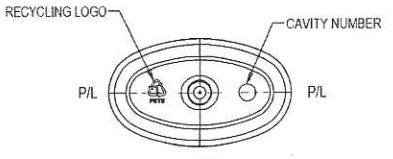
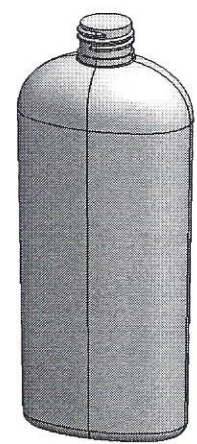
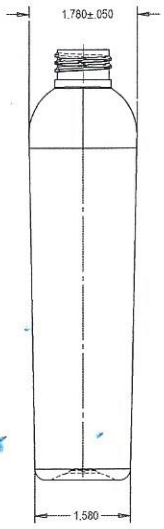
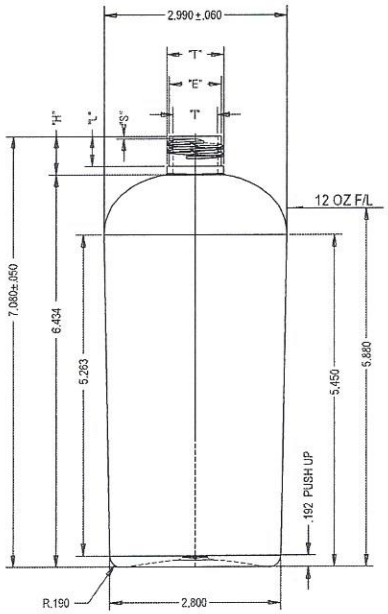


NO.	DESCRIPTION	DATE
△	WAS 27GM, O/F WAS 383ML.	MAY 01/17



"T" .932 ± .008	HELIX ANG. 2°34'	NAME	DATE
"E" .848 ± .008	CUTTER DIA. .375	DRAWN	CAD1 MAY 12/16
"S" .046 ± .015	T.P.I. 8	CHECKED	
"L" .512 MIN	PITCH .125	ENG APPR.	
"H" .646 ± .015	THREAD TURNS 2	MFG APPR.	
"I" .732		Q.A.	
"W"		MATERIAL: PETE	
		WEIGHT: 30G ± 1G △	
		FILL CAPACITY: 355ML ± 9ML	
	NECK FINISH M24-SP410	O/F CAPACITY: 381ML ± 9ML △	SCALE: 1:1.5
		TITLE: 355 ML/12 OZ COSMO OVAL	
		DWG. NO. IBC-1059-V01-R02	