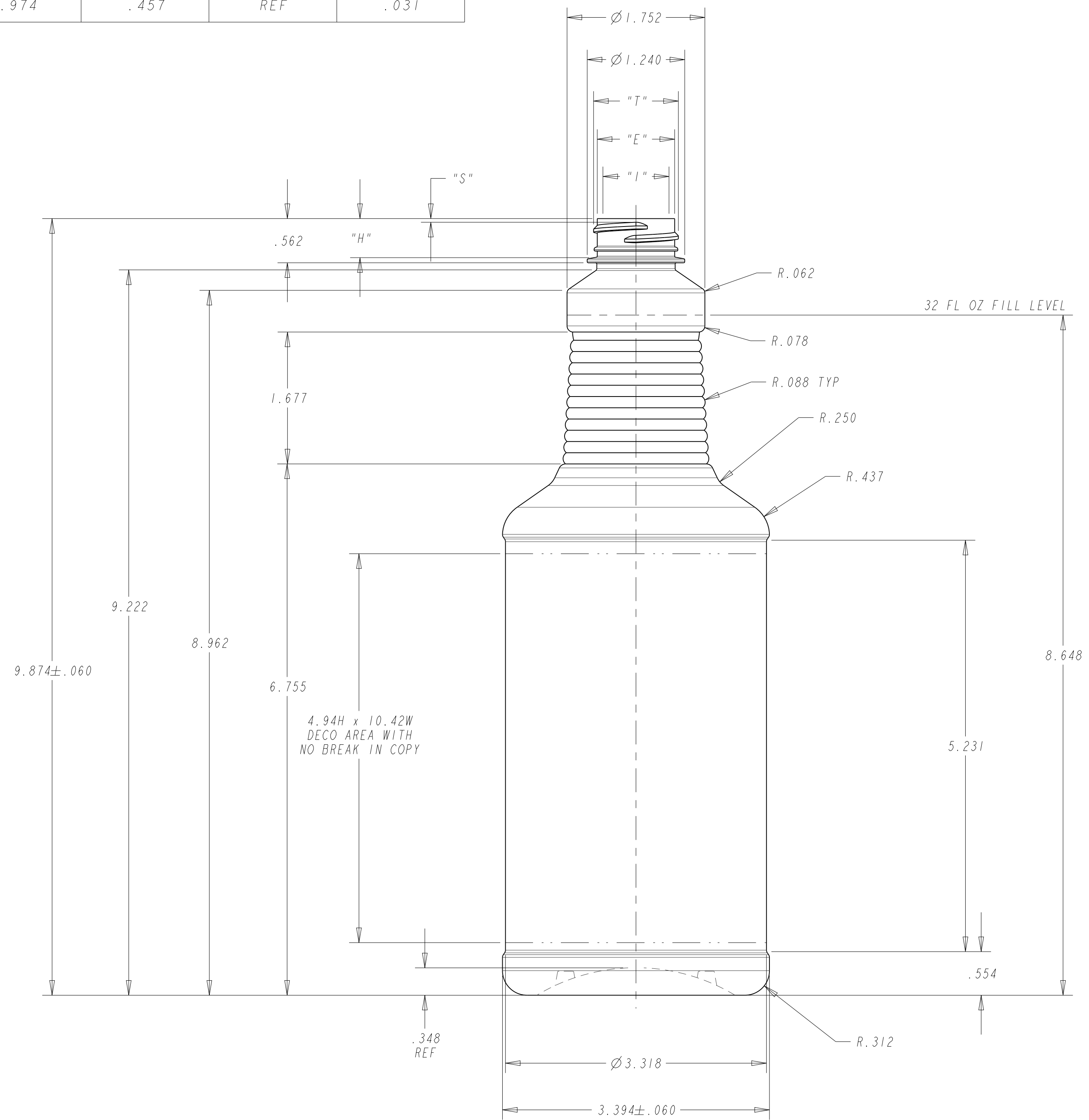


NECK FINISH	BOTTLE WEIGHT ± 2 GRAMS	OVERFLOW CAPACITY ± 15 CC	"T DIA"	"E DIA"	"H DIM"	"I DIA"	"S DIM"
28-400	42.0	971.8	1.088 1.068	.994 .974	.487 .457	.858 REF	.061 .031



32OZ_PETE_CARAFE				
ENG	DES	DIR	DATE	ISS
KSN	KSN	KSN	12/17/08	1
INITIAL RELEASE				
INSPECTED: NO				

OCEAN STATE PACKAGING
EXTRUSION AND INJECTION BLOW MOLDED BOTTLES

SCALE:	1.000
SHEET:	1 OF 1

32OZ_PETE_CARAFE