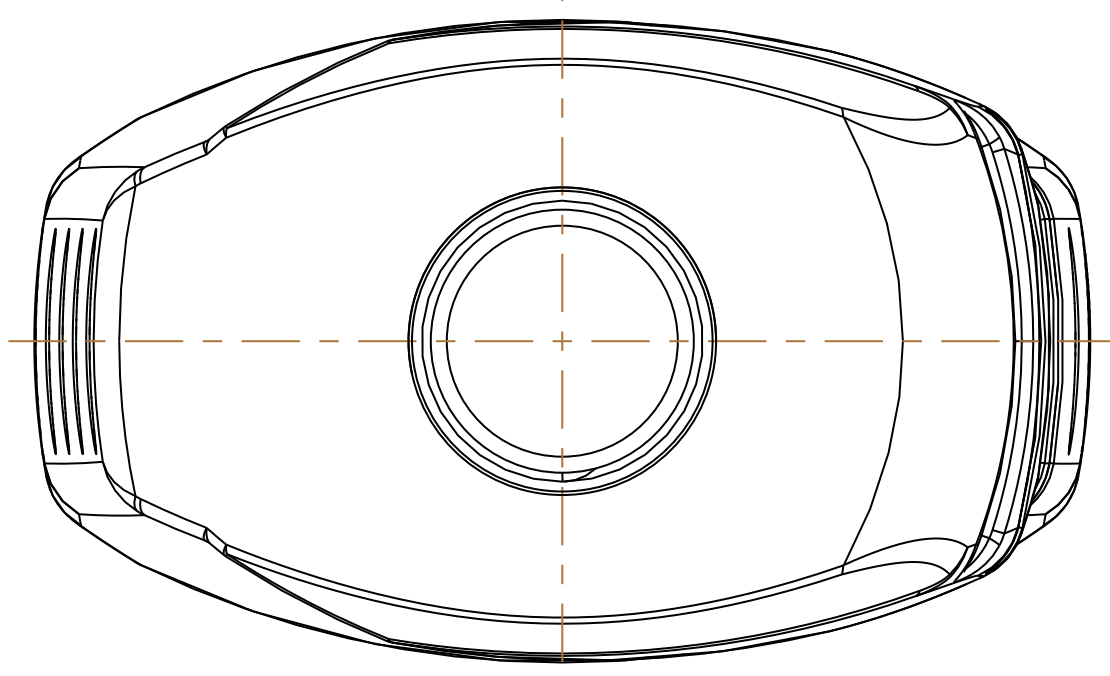
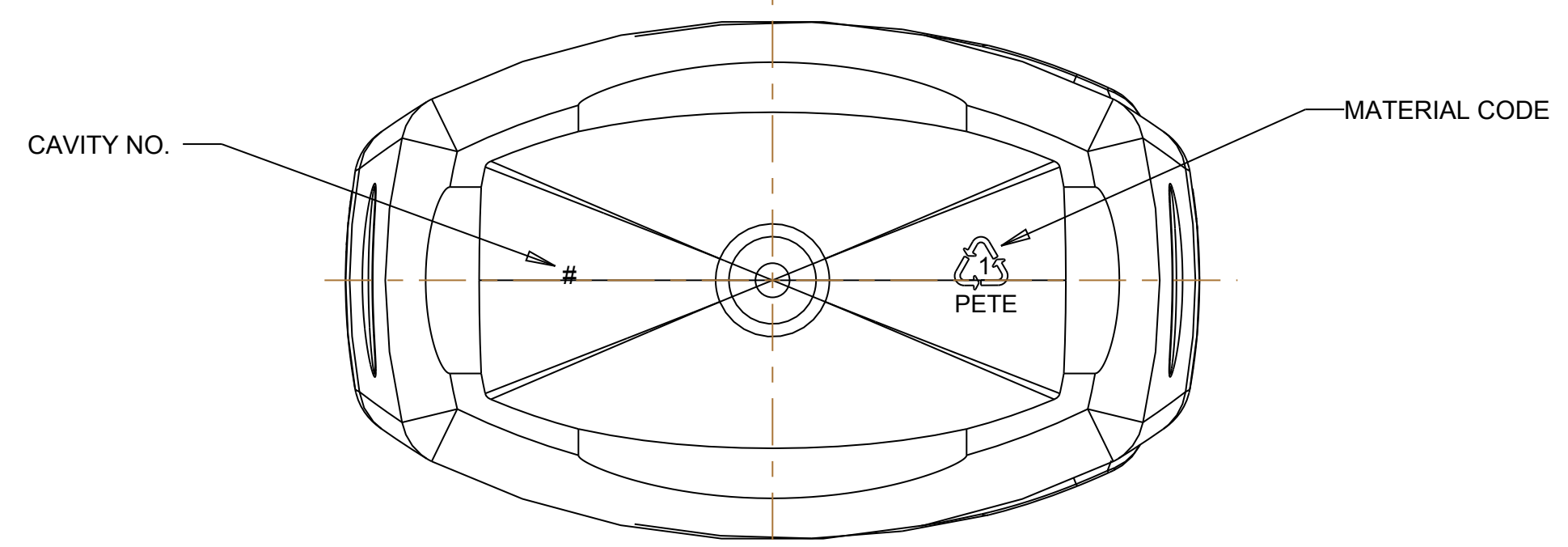
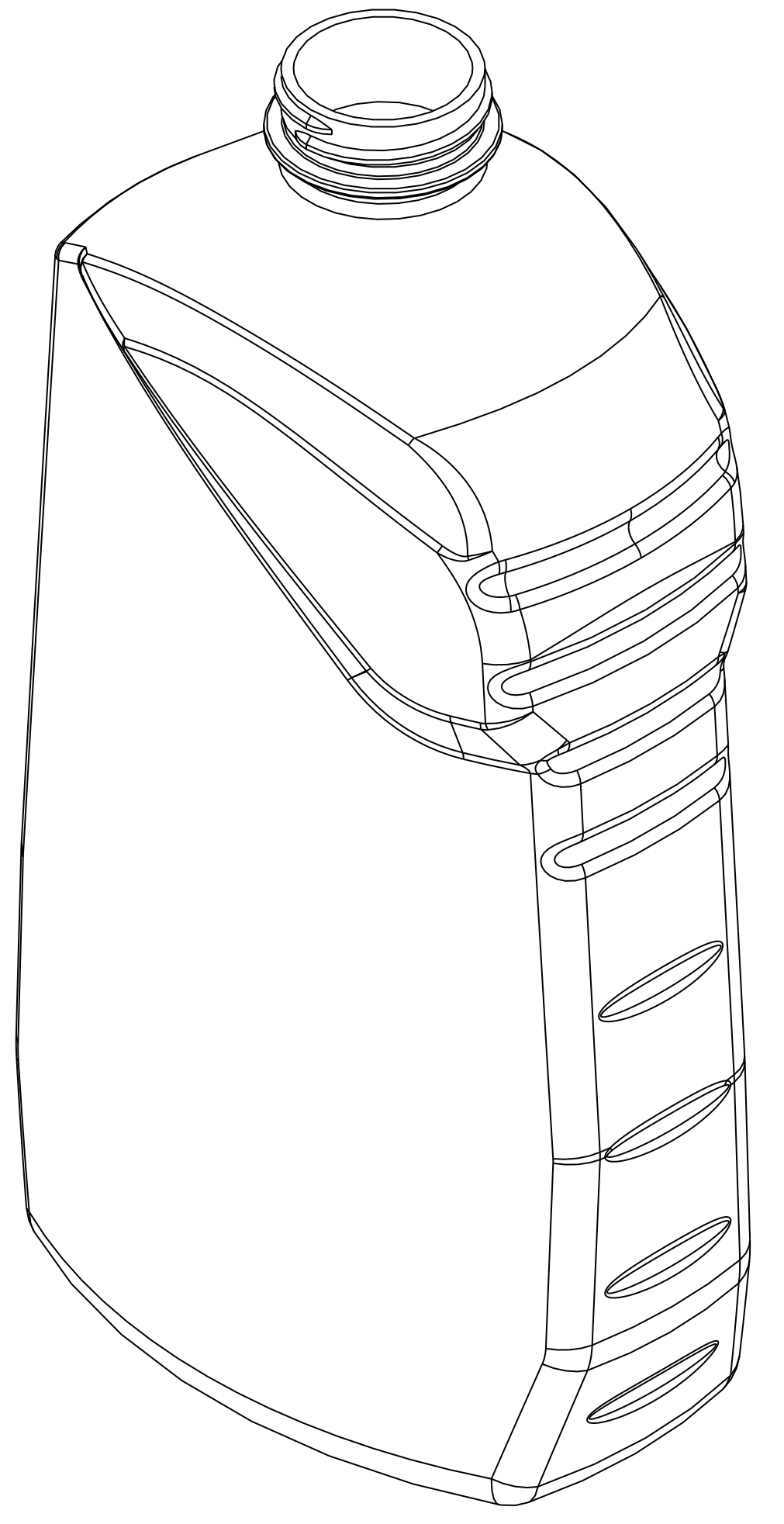
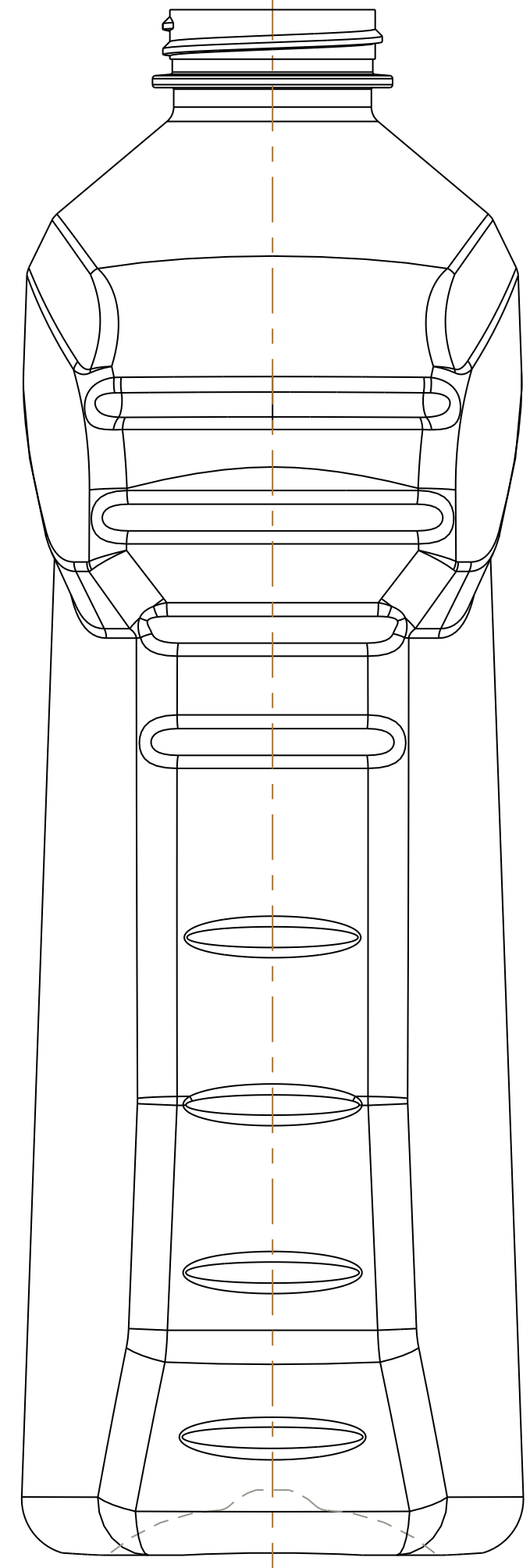
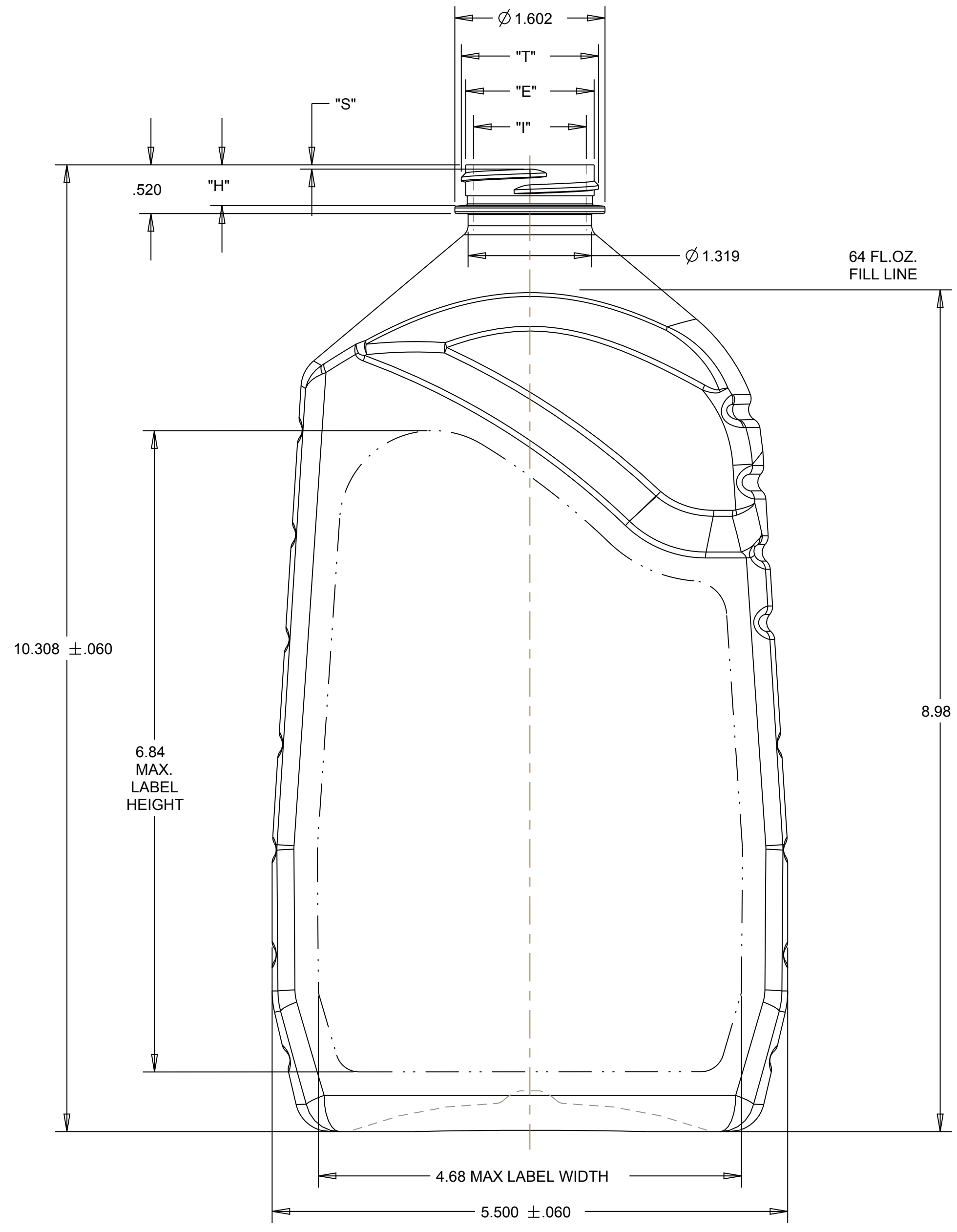
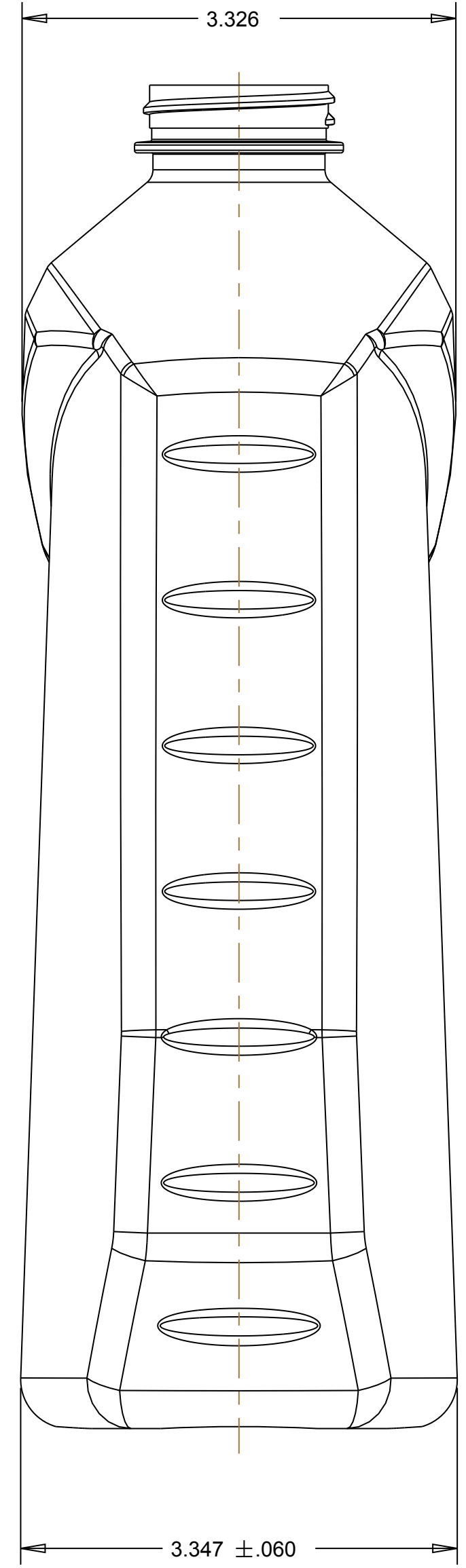


NECK FINISH	BOTTLE WEIGHT ±1.5 GRAMS	OVERFLOW CAPACITY ±13 CC	"T" DIA.	"E" DIA.	"H" DIM.	"S" DIM.	"I" DIA.
38-400	70.8	1942.4	1.476 1.452	1.382 1.358	.451 .421	.061 .031	.987 MIN.

DATE	SYM	REVISION	BY



6 THREADS PER INCH PITCH
ONE FULL TURN OF THREAD
M STYLE THREAD



OCEAN STATE PACKAGING EXTRUSION AND INJECTION BLOW MOLDED BOTTLES			
TOL	TITLE		
S.P.I.	64 OZ PETE REFILL OBLONG		
DATE	DRAWING NO.	REV	
5/21/12	SS-1181-OS		