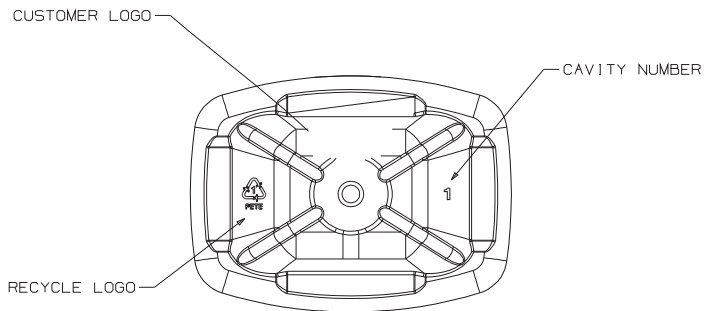
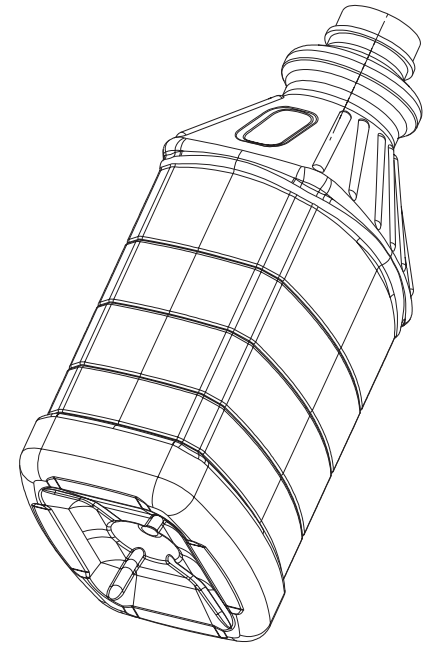
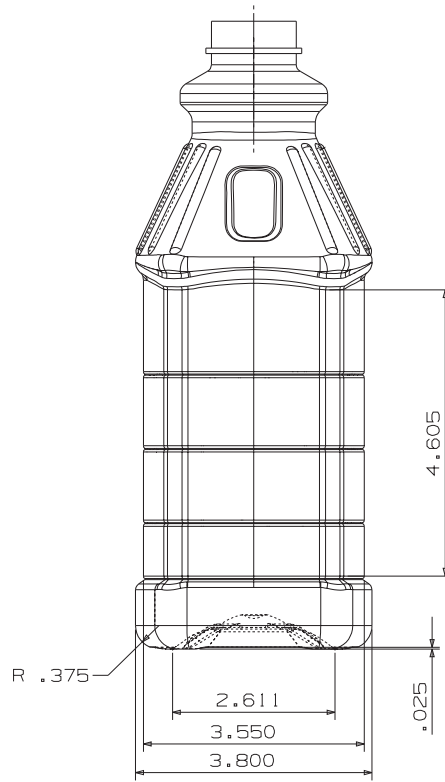
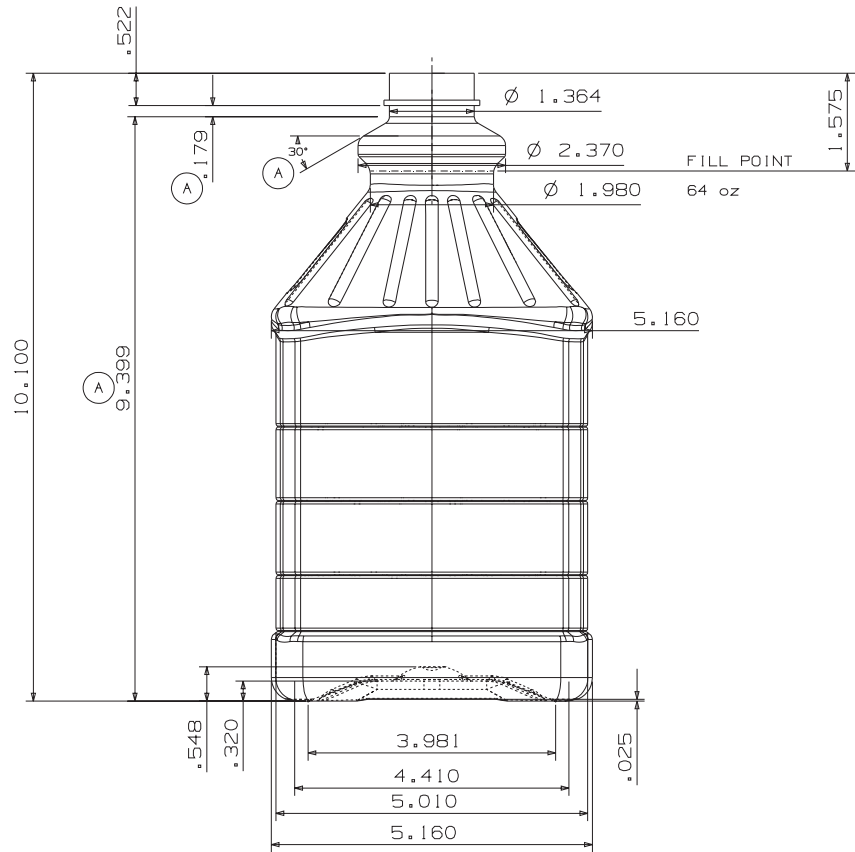


ITEM	REVISION	NAME	DATE
A	Neck Angle Changed Was 14.6°	M.R	MAY24,05



CAPACITY AT F.P.	1892.7 ml	ORIGIN		DRAWING
OVERFLOW CAP.	1957.4 ml	O/BASE		DRAWING
BOTTLE BT.	73 gr	PREFORM		
BASE STYLE		FINISH		
<small>THIS DRAWING AND THE RELATED PARTS THEREOF ARE THE PROPERTY OF SANGHVI BOTTLE CO., INC. AND ARE NOT TO BE REPRODUCED OR TRANSMITTED IN ANY FORM OR BY ANY MEANS, ELECTRONIC OR MECHANICAL, INCLUDING PHOTOCOPYING, RECORDING, OR BY ANY INFORMATION STORAGE AND RETRIEVAL SYSTEM, WITHOUT THE WRITTEN CONSENT OF SANGHVI BOTTLE CO., INC. ANY UNAUTHORIZED REPRODUCTION OR TRANSMISSION OF THIS DRAWING OR THE RELATED PARTS THEREOF IS STRICTLY PROHIBITED. THE INFORMATION HEREIN IS CONFIDENTIAL AND IS TO BE KEPT AS SUCH. THE INFORMATION HEREIN IS NOT TO BE DISCLOSED TO ANY OTHER PARTY WITHOUT THE WRITTEN CONSENT OF SANGHVI BOTTLE CO., INC.</small>				
MSO # 33629		DRAWING NUMBER		110903A
PART NAME		SHEET 1		MATERIAL
64 oz Rectangle Bottle				PCET
DO NOT SCALE DRAWING		DRAWN	M.R	CHECKED
		T.T	DATE	Apr 02, 05
		SCALE	1 P/S	REVISION
				A