

96

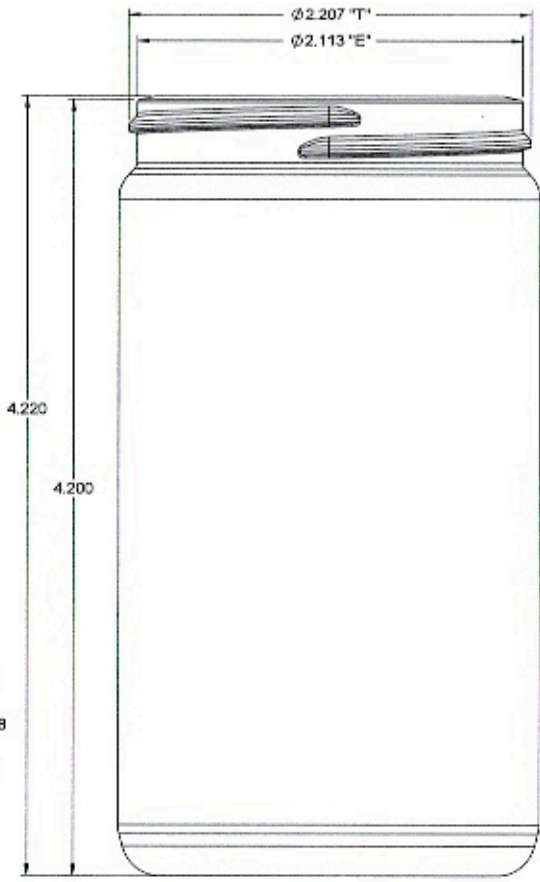
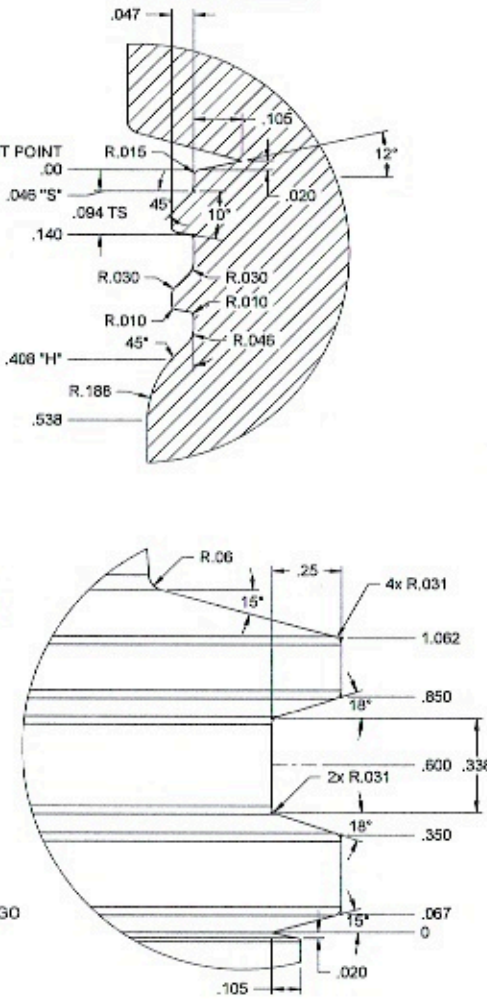
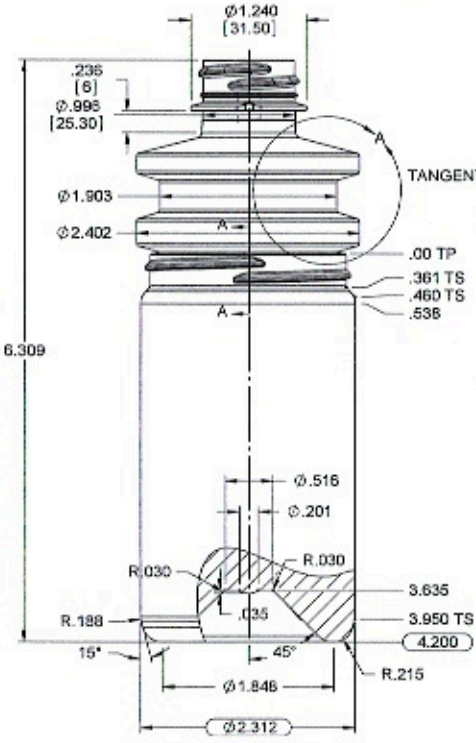
3

2

1

### SECTION A-A SCALE 5 : 1

58-SP400  
PITCH: .167 TPI:6  
THREAD TURNS: 1



APPROXIMATE BOTTLE WEIGHT: 20g  
 OVERFLOW CAPACITY: 259.65cc ± 7.1cc  
 ALL CALCULATIONS & VOLUMES APPROXIMATE  
 UNTIL MANUFACTURE

**ALL DIMENSIONS FOR REFERENCE ONLY**  
 \*\*\*\*\*USE 3-D MODEL PROVIDED\*\*\*\*\*

1. ALL NOTES APPLIED UNLESS OTHERWISE SPECIFIED
2. ALL TAP DEPTH/DIMENSION ARE GIVEN AS FULL THREADS
3. ALL DRILL DEPTHS ARE GIVEN TO FULL DIAMETER
4. ALL DRILL DEPTHS ARE GIVEN TO THE DRILL POINT
5. BREAK ALL SHARP EDGES .01X45°

26/08/2008

CO-PROJECT: <b>58-SP400</b> DRAWING NO: <b>58-SP400</b> DATE: <b>26/08/2008</b> VDL BY: <b>DK</b> DATE: <b>26/08/2008</b> CUSTOMER: <b>1</b> TITLE: <b>GARLIC BOTTLE</b>	MAT'L: <b>PETE</b> DRIST: <b>DK</b> DATE: <b>26/08/2008</b> VDL BY: <b>DK</b> DATE: <b>26/08/2008</b> CUSTOMER: <b>1</b> TITLE: <b>GARLIC BOTTLE</b>	IR/48H PREFORM 28-SP400 PROD. No. MACHINE SCALE: 1:1 (BOTTLE) SHEET: 1 OF 1	JOB No. <b>MS-4377A</b> Dwg No. <b>C-4377A-1</b> REV: <b>0</b>
--	--	---	--

3

2

1