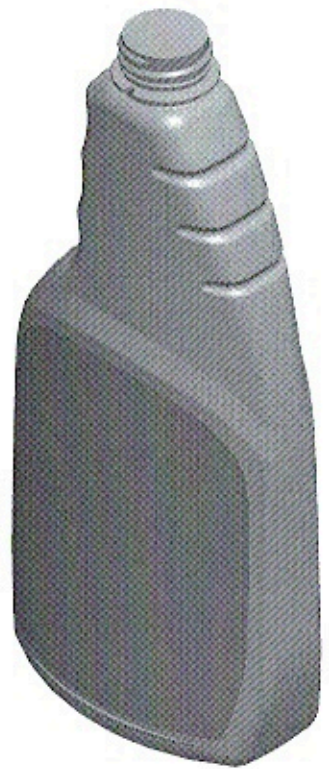
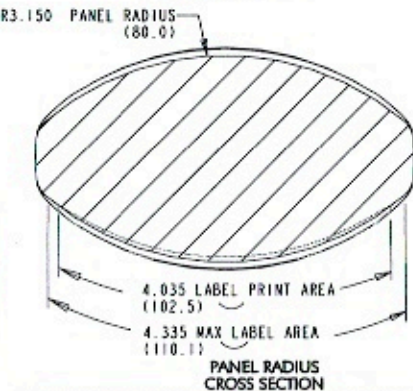
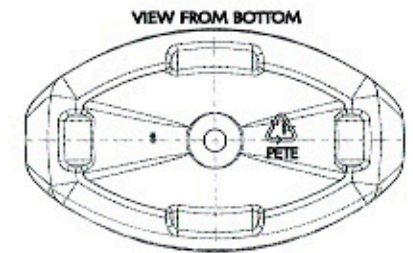
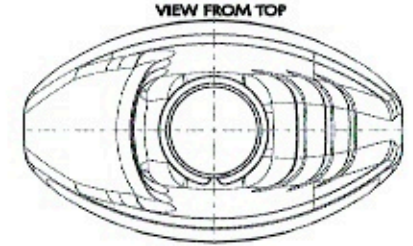


T	27.38±0.13 (1.078±.005)
I	21.79 (1.858)
E	24.99 (1.984)
H	11.76 (1.463)
VH	13.72±.25 (1.540±.010)
SUPPORT LEDGE DIAMETER	31.50 (1.240)

REV	DATE	DESCRIPTION	APP BY	APPV
A	7/26/10	PANEL RADIUS WAS 5.588	DC	
		110 DIM WAS .879		
		2.463 DEPTH WAS 2.463		
		INCREASED LABEL AREA WIDTH		
B	10/15/10	2.476 DEPTH WAS 2.462	DC	
		MODIFIED BASE RIMPLE		
		9.335 HEIGHT WAS 9.688		
C	3/18/10	NAME WAS 126 OZ STRATER	DC	



UNLESS OTHERWISE SPECIFIED:	NAME	DATE
DIMENSIONS ARE IN INCHES	DRAWN	DC
TOLERANCES:	CHECKED	7/24/10
FRACTIONAL ±1/64	ENG APPR.	
TWO PLACE DECIMAL ±.015	NFG APPR.	
THREE PLACE DIMAL ±.004	Q.A.	
HALF DEVELOPED LENGTH:	COMMENTS:	
INTERPRET GEOMETRIC TOLERANCING PER:		
MATERIAL	PET	
FINISH	M2BSP400	
DO NOT SCALE DRAWING		

SIZE	DWG. NO.	REV
C	SS-1073-MC	c
SCALE: 1:1	WEIGHT: 36.0 G	SHEET 1 OF 1