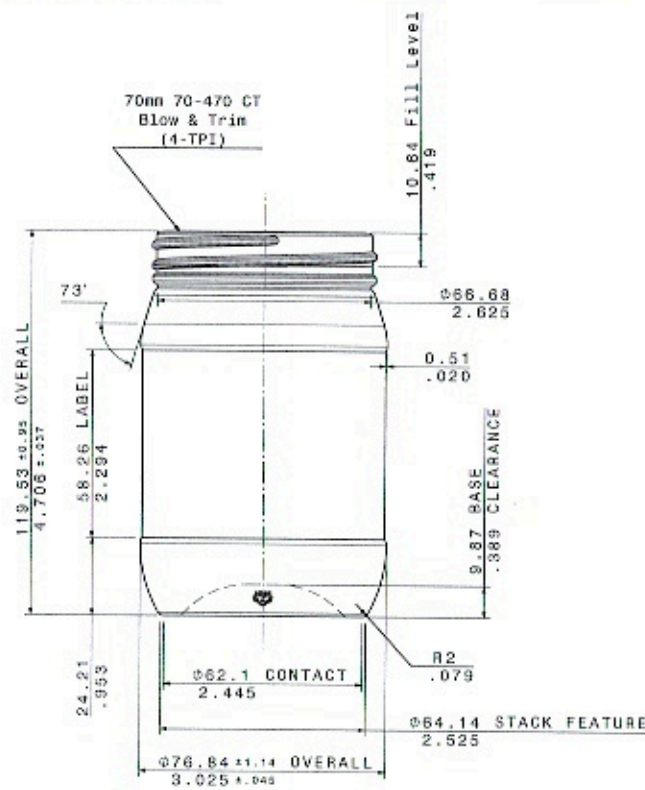


© AS OF DATE BELOW AMCOR RIGID PLASTICS.



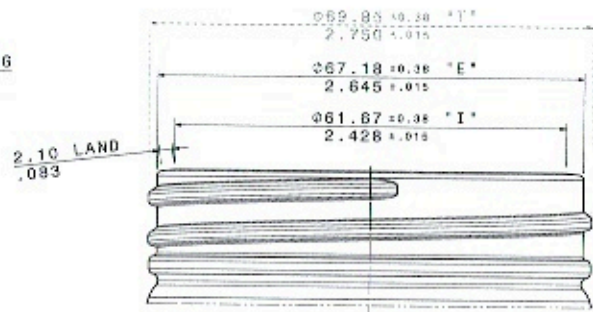
Front view  
Scale: 1:1

PETE RECYCLE LOGO  
Per SPI Bulletin RPCD-13



Bottom view  
Scale: 1:1

All Base engraving per CAD Geometry  
Recessed in mold 0.3mm / .012",  
raised on container



Finish Detail  
Scale: 2:1

Rev	Description	By	Date	ECN
A	Original Release	RJS	13DEC11	4144201-149-000
B	T, E, I TOLERANCE WAS .010"	RJS	05JAN12	4144201-149-000

- Notes:**
1. Dimensions are nominal in millimeters unless otherwise specified.
  2. This drawing represents the body 72 hours after manufacture when stored at normal conditions.
  3. The dimensional tolerances to be applied to all height dimensions are the same as the tolerance applied to the overall height of the container.
  4. The dimensional tolerances to be applied to all diameter, width and thickness dimensions are the same as the tolerance applied to the major diameter or width of the container.
  5. The weight shown on this drawing is based on the design weight of the part. The actual weight will vary based on the actual production weight of the part.
  6. The fill levels are based upon water at room temperature.

## CONFIDENTIAL

Capacity Specification			
Overflow Capacity	476.0 ± 11 ml		
Volume & Weight Information			
Calculated Overflow Capacity:	476.2	ml	Calculated Fill Line Capacity:
			440.1 ml
Total Net'l Vol.:	22.913	cc	Material:
			PET
Net'l Vol. in Body:	19.509	cc	Blow Density:
			1.365 gm/cc
Net'l Vol. in Finish:	3.404	cc	Finish Density:
			1.365 gm/cc
Surface Area (Excl. Neck Finish):	*329.208	sq. cm	Avg. Wall Thickness:
			*.027" / 0.69 mm

Drawing Information		
Partno Drawing:	P-3308-PD	Revision Drawing:
		F-3508-PD
Date:	13DEC11	Customer:
		AmcOr

Title: 15oz Stock Jar

Drawing Type:	PRODUCT DRAWING
Drawing Number:	C-6663-PD B

## CONFIDENTIAL

THIS DOCUMENT IS THE EXCLUSIVE PROPERTY OF AMCOR RIGID PLASTICS. THE INFORMATION CONTAINED HEREIN, AND ANY MODEL CONTAINER, PREFORM OR OTHER ARTICLE RECEIVED, IS OF A CONFIDENTIAL AND PROPRIETARY NATURE AND MUST BE USED ONLY FOR THE PURPOSE FOR WHICH IT IS DISCLOSED. THE HOLDER AGREES NOT TO DISCLOSE TO A THIRD PARTY AND TO RETURN THE SAME TO AMCOR RIGID PLASTICS, UPON COMPLETION OF USE OR REQUEST. THIS DRAWING IS NO LONGER A CONTROLLED DOCUMENT WITHIN AMCOR RIGID PLASTICS. DO NOT ASSUME THAT THIS IS THE CURRENT DRAWING. THE 3D CAD DATA IS THE MASTER MODEL FOR THIS PRODUCT.