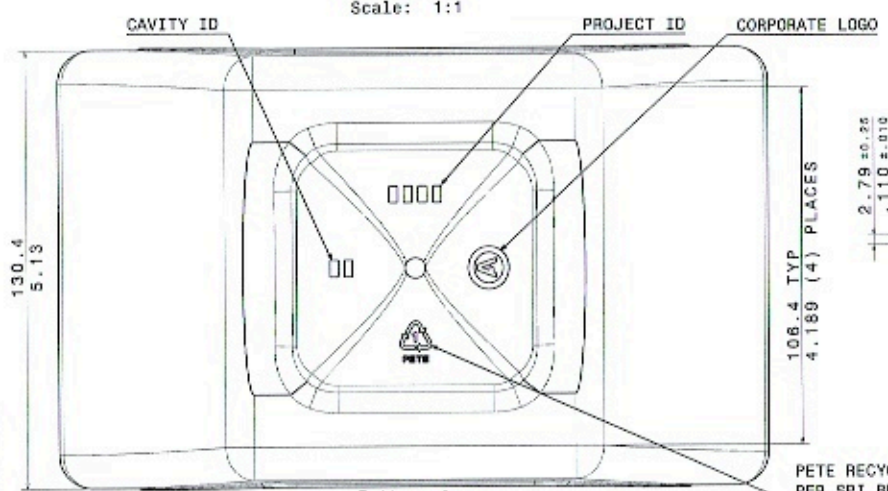
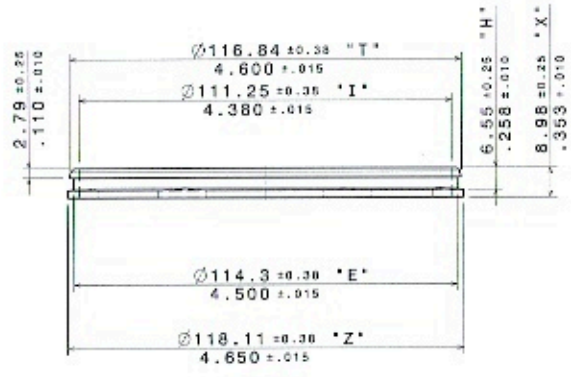


Front view  
Scale: 1:1

86.35 PUSHUP  
3.400  
106.4 CONTACT  
4.189  
Section cut A-A  
Scale: 1:1



Bottom view  
Scale: 1:1



PETE RECYCLE LOGO  
PER SPI BULLETIN RPCD-13  
FINISH DETAIL  
Scale: 1:1  
F-3319-PD

Rev	Description	By	Date	EDI
A	ADDED 4 DETENTS AT TAMPER BAND AND GATE	SS	03JUN08	440000000-012
B	WEIGHT WAS 150g & CAPACITY ADJUSTED	BJS	10NOV08	440000000-018
C	UPDATED FINISH FROM F-3319-001 TO F-3319-PD	PU	23JAN09	440000000-001
D	REVISED SECTION D-D, ADDED FINISH DETAIL F-3319-PD	JWS	16JUL09	440000000-024

Notes:

- Dimensions are nominal in millimeters/inches.
- This drawing represents the bottle 72 hours after manufacture when stored at normal conditions.
- The dimensional tolerance to be applied to all unlabeled height dimensions are the same as the tolerance applied to the overall height of the container.
- The dimensional tolerances to be applied to all unlabeled diameter, width, and thickness dimensions are the same as the tolerance applied to the major diameter or width of the container.
- The weight shown on the drawing is based on the design weight of the preform. The actual weight will vary based on the actual production weight of the preforms.
- Fill level is based upon water at room temperature.

Capacity Specification

Overflow Capacity	3819 ± 44 ml		
<b>or - Capacity Tolerances</b>			
	<b>Fresh</b>	<b>Individual</b>	<b>Average</b>
Fill Point Capacity			
Overflow Capacity			
	<b>Aged</b>	<b>Individual</b>	<b>Average</b>
Fill Point Capacity			
Overflow Capacity			
	<b>As Delivered</b>	<b>Individual</b>	<b>Average</b>
Fill Point Capacity			
Overflow Capacity			

Additional Information

Projected Area of Fill:	Min. Half Length:	Max. Half Length:
Sq. cm	mm	mm
260.22	273.88	273.88
<b>Volume &amp; Weight Information</b>		
Calculated Overflow Capacity:	Calculated Fill Line Capacity:	
3803 ml	3668 ml	
TOTAL NET VOL:	Material:	TOTAL Container Weight:
102.71 cc	PET	140.0 ± 2.0 gm
Net Vol in Body:	As Blow Density:	Container Body Weight:
95.53 cc	1.365 gm/cc	130.4 gm
Net Vol in Finish:	Finish Density:	Finish Weight:
7.18 cc	1.335 gm/cc	9.6 gm
Net Vol in Preform Body:	Amorphous Density:	Preform Body Weight:
cc	gm/cc	gm
Surface Area below Neck Finish:	Avg. Wall Thickness:	
1297.12 sq.cm	.029"/0.74 mm	

Drawing Information

Preform Drawing:	Finish Drawing:	Reference Drawing:
	F-3319-PD	C-4743-ES1-F
Date:	Drawn By:	Customer:
03JUN08	SS	MARS
Title: HEX BOTTLE		

Drawing Type: PRODUCT DRAWING  
 Drawing Number: C-4743-PD  
 Rev: D

CONFIDENTIAL  
 THIS DOCUMENT IS THE EXCLUSIVE PROPERTY OF SCHWALBACH-LUBECA PLASTIC CONTAINERS USA, INC. THE INFORMATION CONTAINED HEREIN, AND ANY MODEL CONTAINER, PREFORM OR OTHER ARTICLE RECEIVED, IS OF A CONFIDENTIAL AND PROPRIETARY NATURE AND MUST BE USED ONLY FOR THE PURPOSE FOR WHICH IT IS DISCLOSED. THE HOLDER AGREES NOT TO DISCLOSE TO A THIRD PARTY AND TO RETURN THE SAME TO SCHWALBACH-LUBECA PLASTIC CONTAINERS USA, INC. UPON COMPLETION OF USE OR REQUEST.