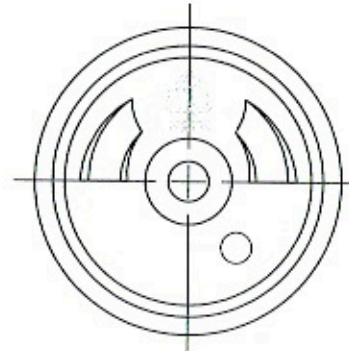
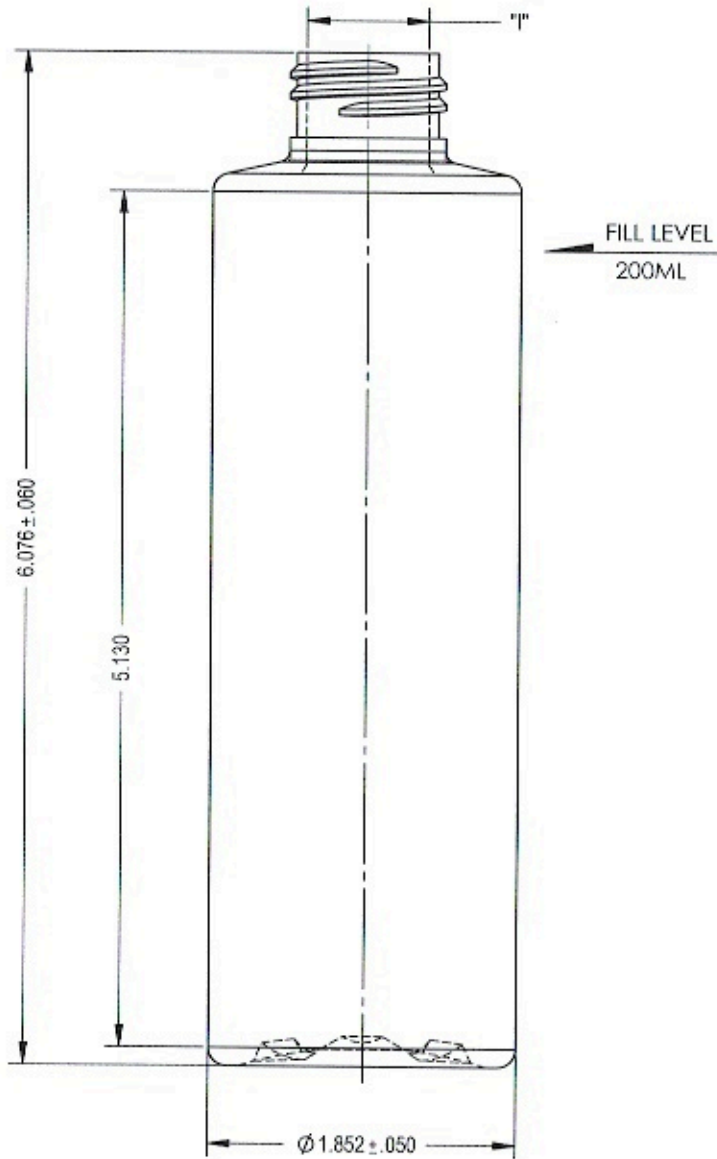


NECK FINISH	"T"	"E"	"H"	"L"	"S"	"P"	HELIX ANG.	CUTTER DIA.	T.P.I.	PITCH	THREAD TURNS
M24 SP410(SPECIAL)	.932 ± .008	.848 ± .008	.848 ± .015	.512MIN	.046 ± .015	.732	2°34'	.375	8	.125	2

NO.	REV. BY	DESCRIPTION	DATE



AVAILABLE:

1. SKU#100028, CLEAR (SANDBLAST)
2. SKU#100044, CLEAR

THIS DRAWING CONTAINS PROPRIETARY INFORMATION OF CONSUMERS PACKAGING GROUP INC. NEITHER THIS DRAWING OR ITS CONTENTS MAY BE REPRODUCED IN ANY FORM, FOR ANY PURPOSE, UNLESS WRITTEN CONSENT IS GIVEN BY CONSUMERS PACKAGING INC.

BOTTLE SPECIFICATIONS	
MATERIAL: PETE	FILL CAPACITY: 200ML ± 6ML
WEIGHT: 22g ± 3g	OVERFLOW CAPACITY: 225ML ± 7ML
DWN. BY: 124	DATE: 08/01/07 DESCRIPTION: 200 ML/7 OZ CYLINDER
APR. BY:	DATE:
SCALE: 1:1	DRAWING NO: CPG-1037-A-V01-R03