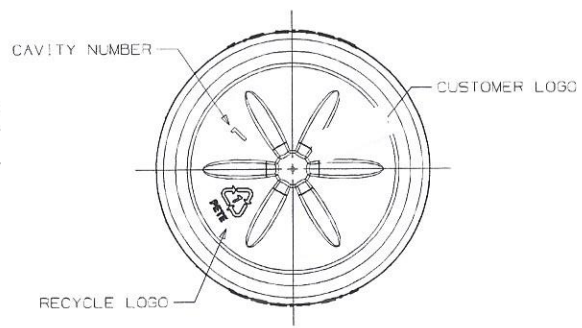
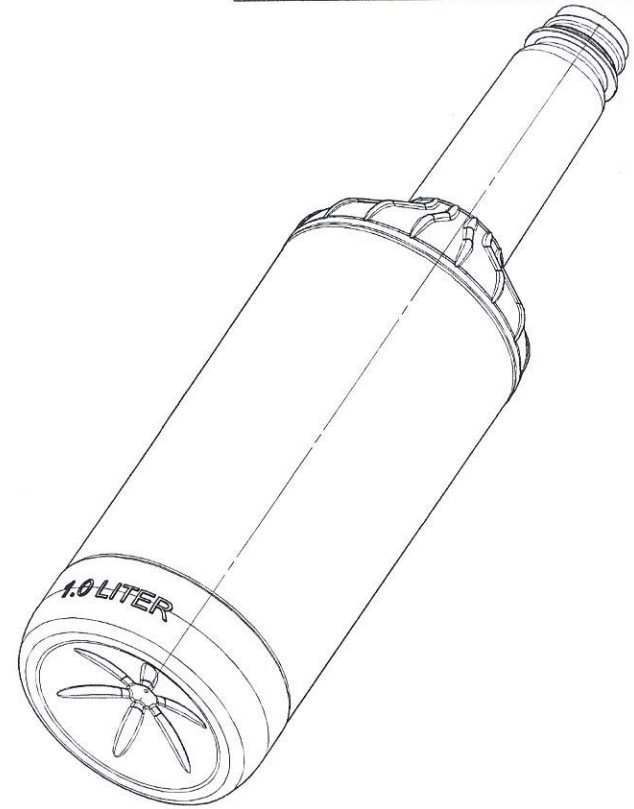
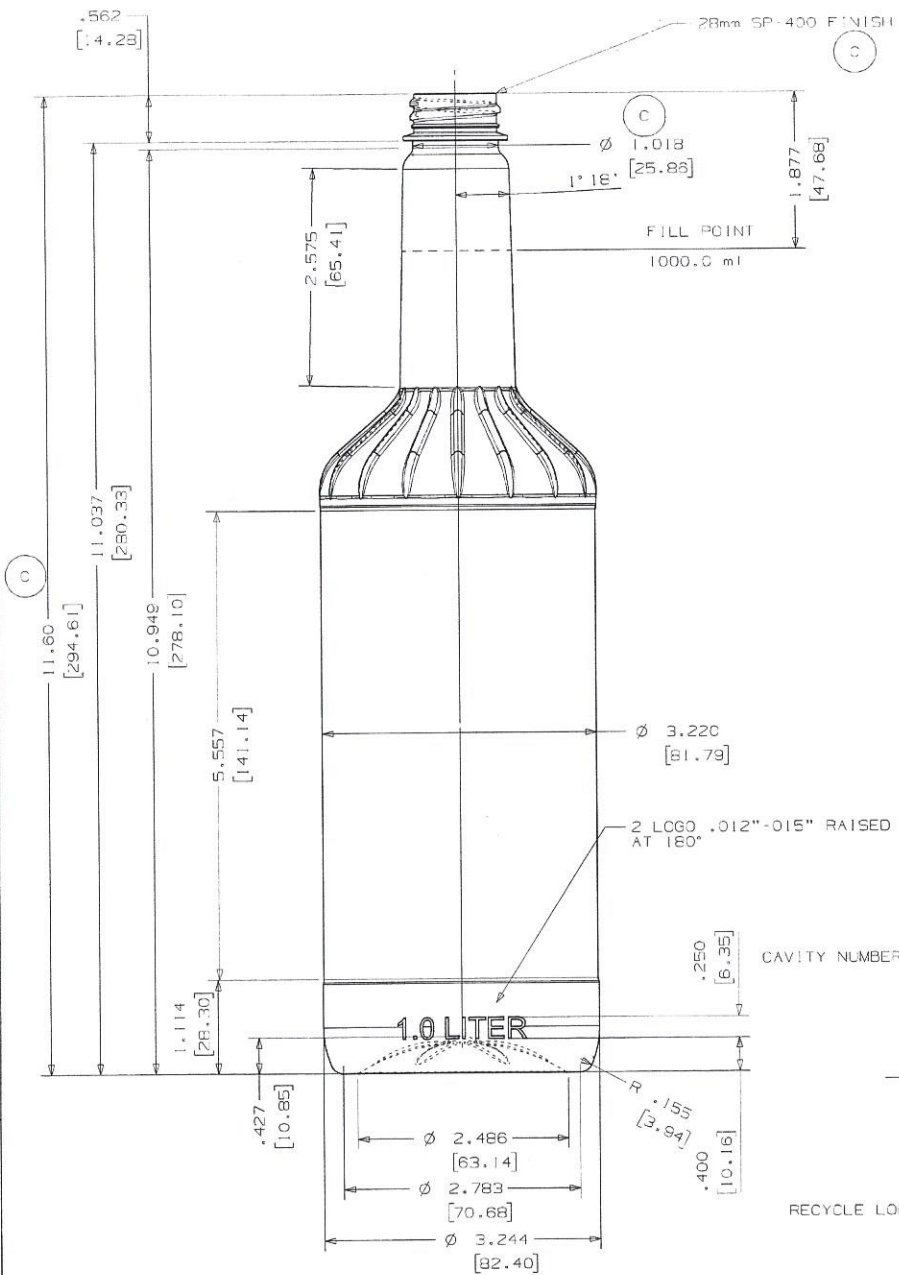


ITEM	REVISION	NAME	DATE
A	1.0 LITER LOGO ADDED	M.R.	APR22,05
B	NECK FINISH, BOTTLE HT. CHANGED NECK DIA. ADJUSTED	M.R.	SEP02,05
C	NECK FINISH, BOTTLE HT. CHANGED NECK DIA. ADJUSTED	M.R.	SEP02,05



NOTE:
 Bottle Weight: 53 gr
 Capacity at F.P.: 1000.0 ml
 Overflow Capacity: 1027.5 ml

REVISION:		
TITLE: 1.0 Lt. WINE BOTTLE		
DRAWING# :	110904A	SCALE : F/S
DRAWING BY:	DATE : APR 08,05	APPROVAL:
V.R.		
		REVISION
		C