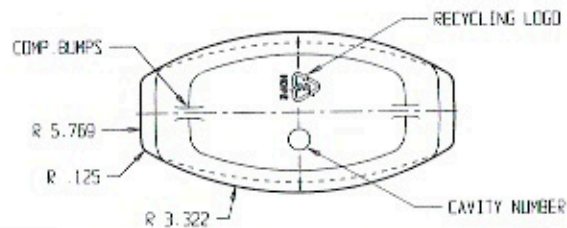
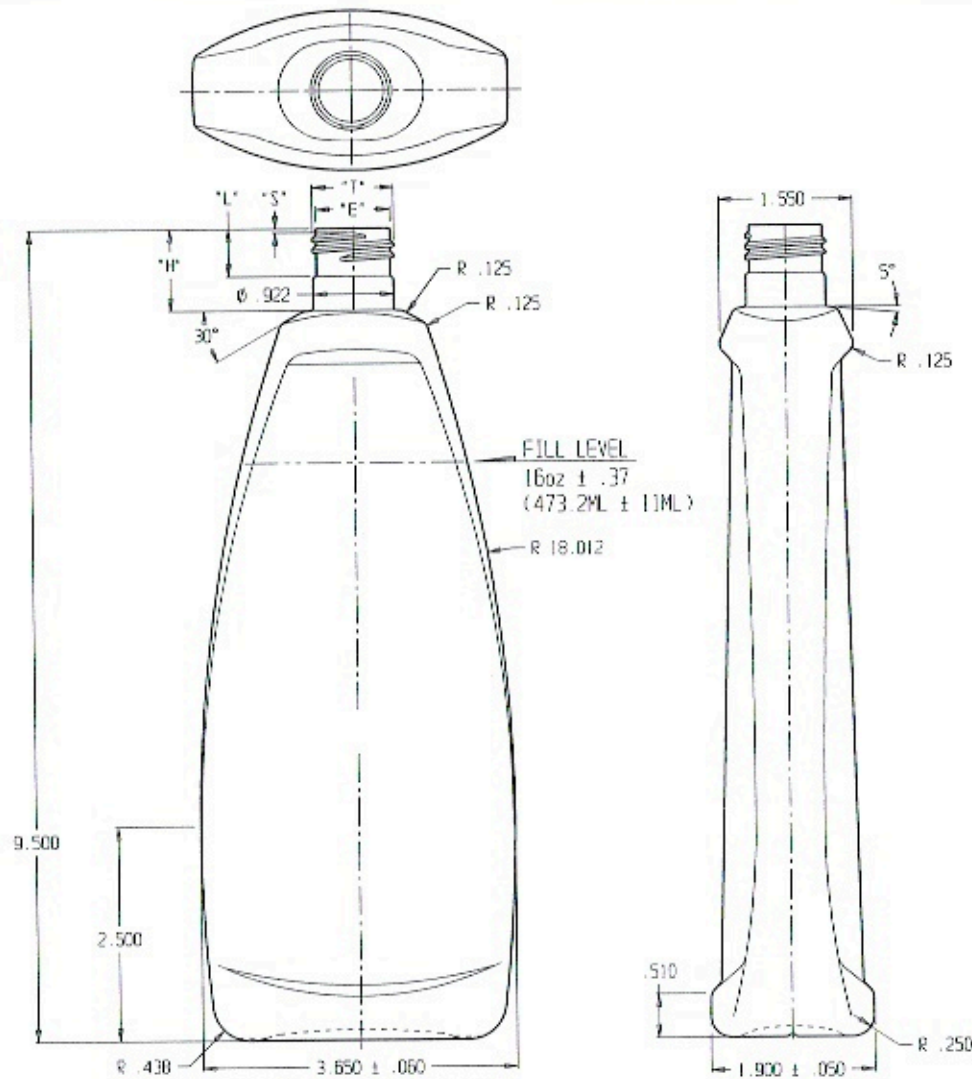


NUMBER	REVISIONS	REV BY	DATE
△			

ok ✓ 18



NOTES:

- ALL DIMENSIONS ARE TO BE IN INCHES UNLESS OTHERWISE SPECIFIED.
- ALL RADS & FILLETS ARE 1/64 R MIN. UNLESS OTHERWISE SPECIFIED
- ALL DIMENSIONS & FILL CAPACITIES ARE CONFORM TO S.P.I. STANDARDS
- FINAL VOLUME TO BE CONFIRM AFTER 3D GEOMETRY COMPLETE (VOLUME APPROX. WITHIN 3%)

**NOTE:**

THE DIMENSIONS AND CAPACITY OF THIS BOTTLE ARE ESTIMATED ONLY AND ARE TO BE CONFIRMED BY A PROTOTYPE MODEL &/OR CAD/CAM SURFACE GENERATION. ALL SIZES AND SPECIFICATIONS ARE "BEFORE DECORATING" AND ARE SUBJECT TO FINAL PRODUCTION QUALIFICATIONS.

BOTTLE SPECIFICATIONS

BOTTLE MAT'L : HDPE	FILL CAPACITY : 16oz ± .37
BOTTLE WT : 40gn ± 1.5gn	DRY CAPACITY : 55ML ± 11ML

NECK SPECIFICATIONS

	M24-415	"L" DIM.	.561
FINISH	"N"	"N" DIM.	N/A
STYLE	"N"	HELIX ANG	2°34'
"L" DIM.	.932 ± .008	T.P.I.	8
"E" DIM.	.848 ± .008	PITCH	.125
"I" DIM.	.600 MIN	CUTTER DIA.	.375
BEAD DIA	N/A	R OF TURNS	2
"H" DIM.	.9571 ± .015		
"S" DIM.	.046 ± .015		

1. ONLY SIZES SHOWN ARE REPRESENTATIVE OF HIGH PERFORMANCE ONLY. FINAL PLASTIC SIZES ARE TO BE DETERMINED FROM ACTUAL PLASTIC SAMPLES.
2. ALL DIMENSIONS AND TOLERANCES CONFORM TO SPI STANDARDS UNLESS OTHERWISE SPECIFIED.
3. THIS DRAWING MAY NOT BE REPRODUCED IN ANY FORM, FOR ANY PURPOSE, UNLESS WITH THE EXPRESS WRITTEN CONSENT OF THE HOLDER HEREOF.
4. OTHER HOLDERS WILL NOT BE RESPONSIBLE FOR THE ACCURACY OF THE PART. ALL DIMENSIONS MUST BE APPROVED BY THE CUSTOMER BEFORE PRODUCTION OF THE HOLDERS DESIGN.

OWN BY: R.F.	DATE: MAY 9/05	DESCRIPTION: 16oz TEARDROP
APR BY:	DATE:	DRAWING NO: C55-4018-1-1A
SCALE: 1:1		