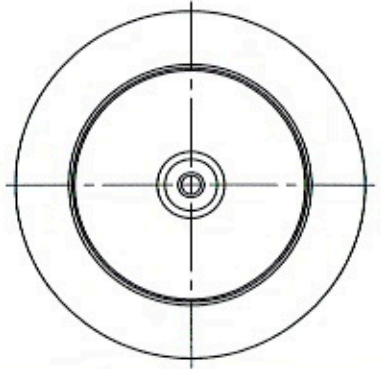
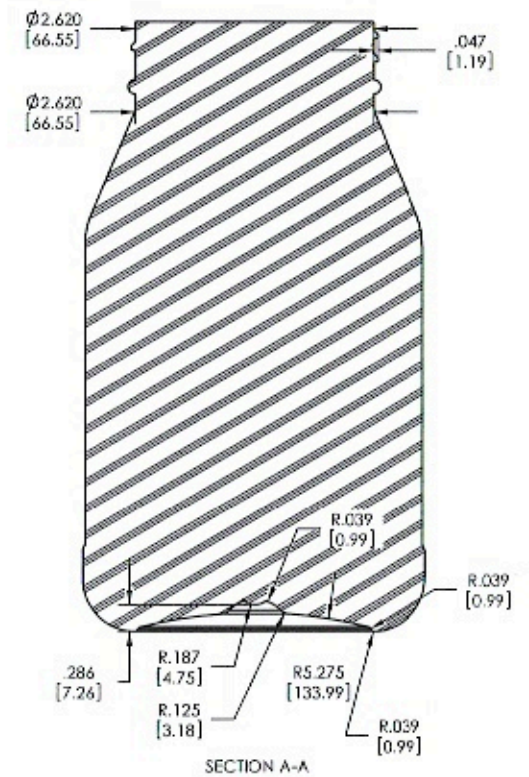
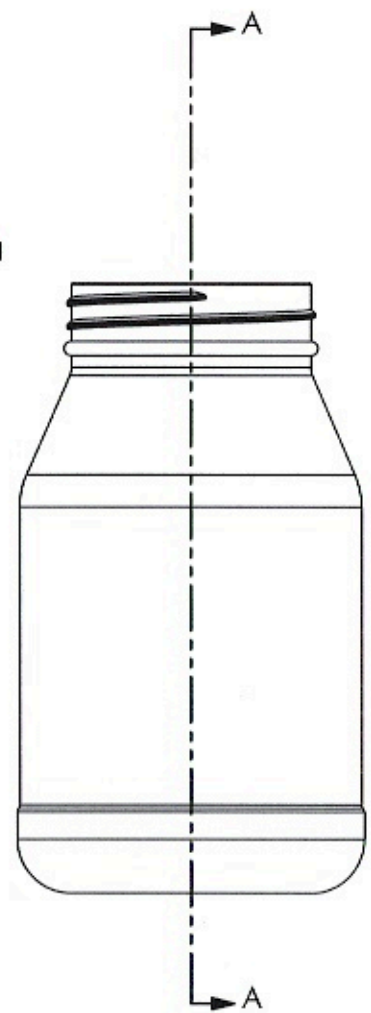
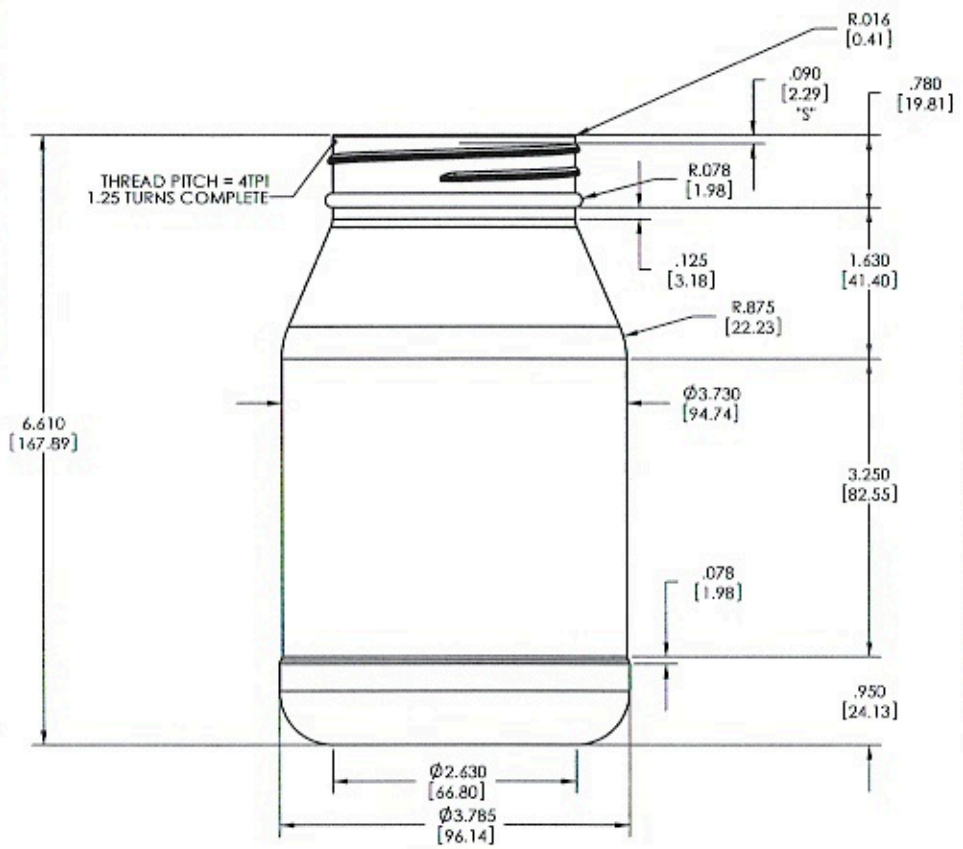


ok V36



DRAWN			DATE	TITLE	
CHECKED				32-OUNCE BLOW TRIM JAR DESIGN CONCEPT	
ENG APPR				SCALE: 1:1	
MFG APPR				SHEET 1 OF 1	
QA					
COMMENTS:					

DESIGNER AND CHECKER	MATERIAL
DRIVING & DESIGN PROJECT	PET
DESIGNER: [Name]	70-44A S-400
DESIGNER: [Name]	EDWARDS & KELCEY