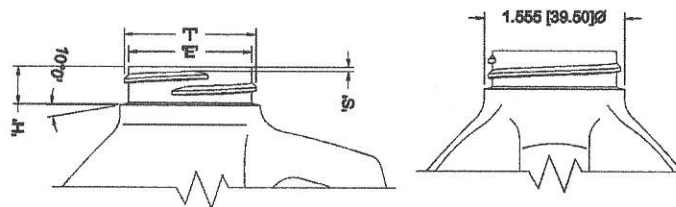
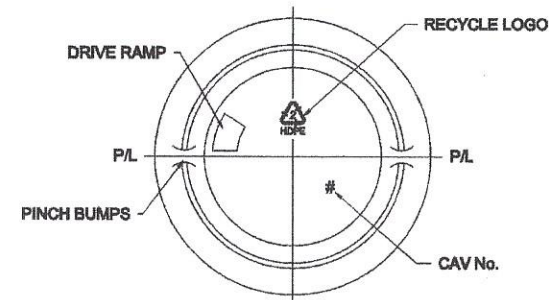
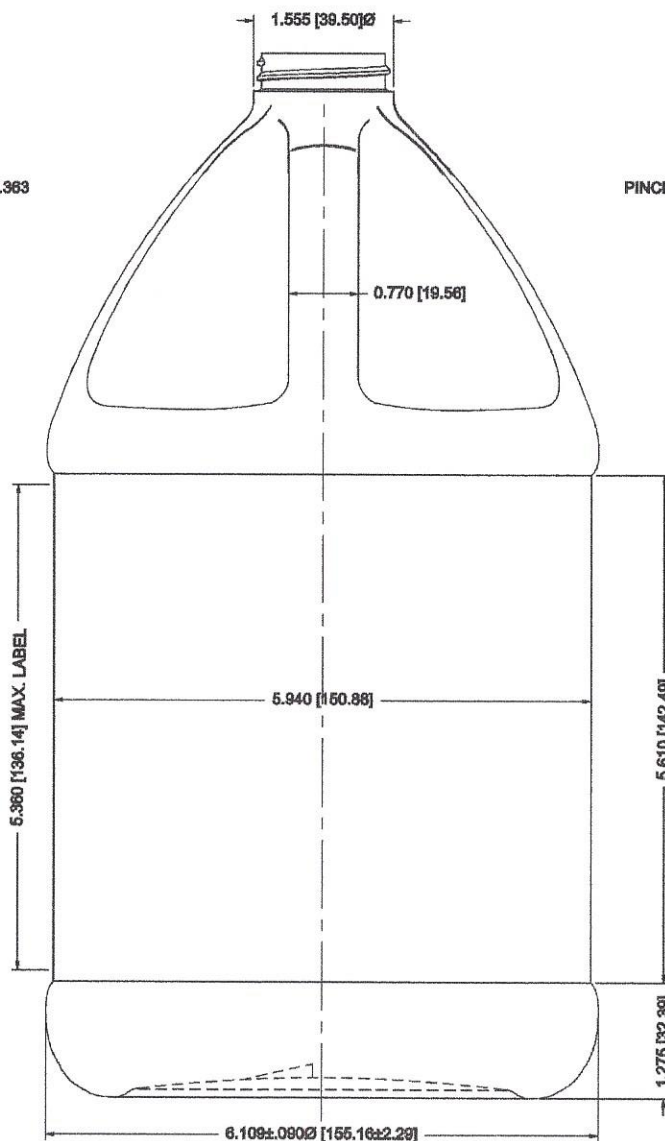
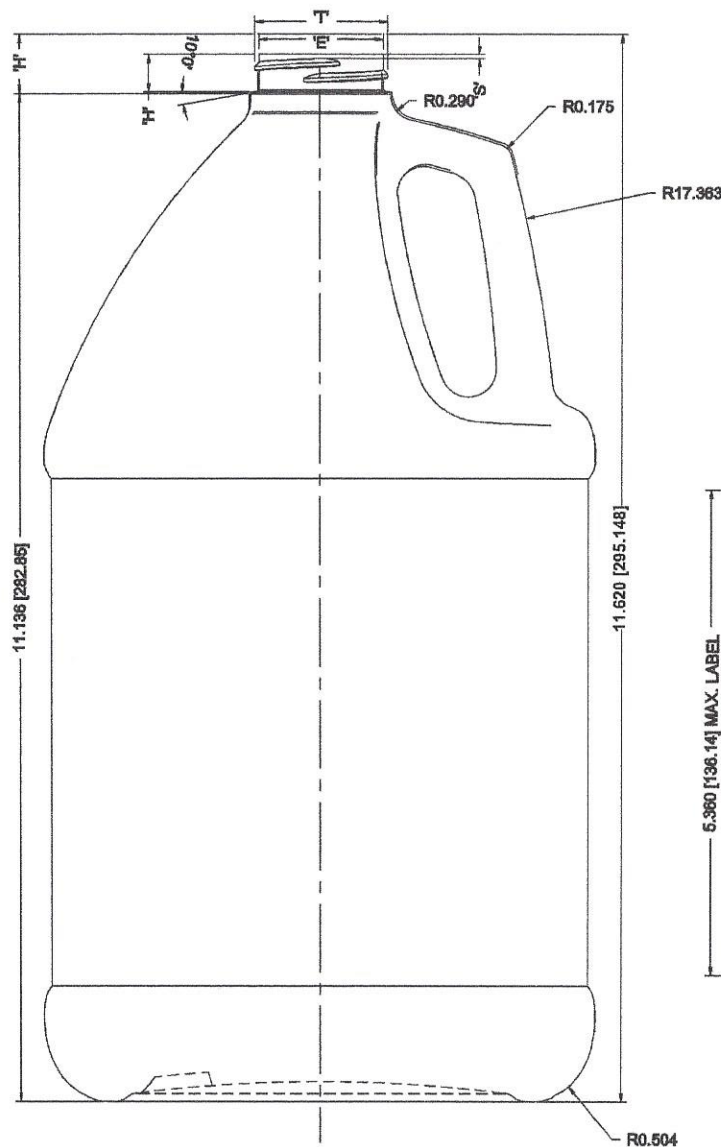


FINISH: M38/400							
T'	E'	H'	S'	HELIX <	TPI	PITCH	CUTTER Ø
1.484±.012	1.370±.012	.403±.015	.048±.015	2° 9'	6	.187	.500
[37.18±.30]	[34.79±.30]	[10.23±.38]	[11.68±.38]			[4.24]	[12.70]



NECK M38/ 400



BOTTOM VIEW 1/2 SCALE



Drawn By:	Description:
Date: March 2017	1 GAL. US ROUND HANDLE
Scale:	Checked By:
Material: HDPE	Approved By:
Part Weight: 120y-5g	Reference File:
Client:	Dwg. No.:
	624NAT / 624WHT