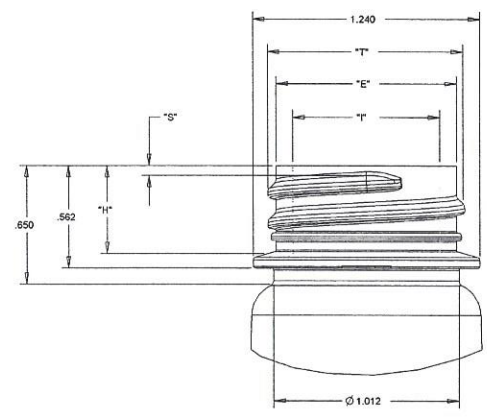
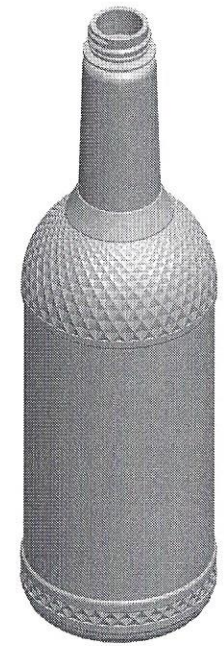
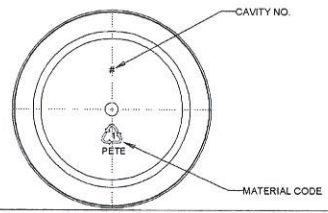
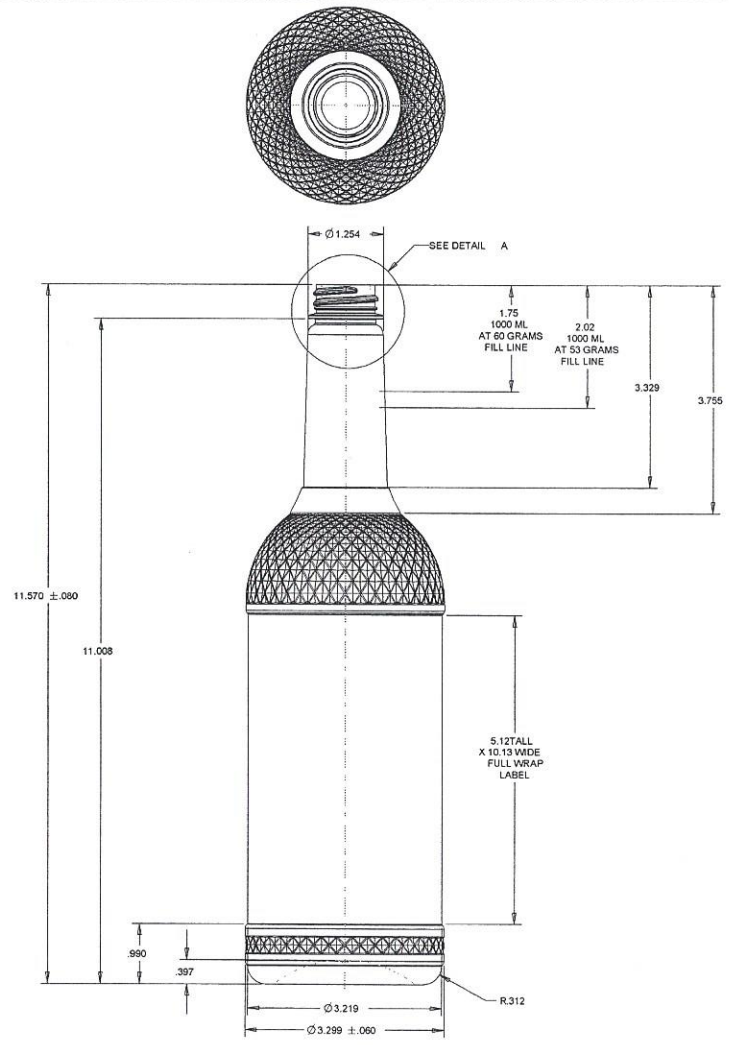


NECK FINISH	BOTTLE WEIGHT ±15 GRAMS	OVERFLOW CAPACITY ±15 CC	"T" DIA.	"E" DIA.	"H" DIM.	"S" DIM.	"I" DIA.
28-400	60.0	1025.1	1.088 1.058	.994 .974	.498 .468	.081 .031	.868 .848

DATE	BY	REASON	BY
4/5/13	A	ADDED LONG NECK DIMS	ERN
5/1/13	B	LABEL AREA HEIGHT WAS 5.00	ERN
6/1/13	C	"I" WAS .750 MM.	ERN
		85W DIM WAS .750 DIM	



DETAIL A
SCALE 3.000



OCEAN STATE PACKAGING EXTRUSION AND INJECTION BLOW MOLDED BOTTLES			
TOL	TITLE	1000 ML SYRUP ROUND	
S.P.I.	DATE	DRAWING NO.	REV
	4/5/13	SS-1214-OS	C