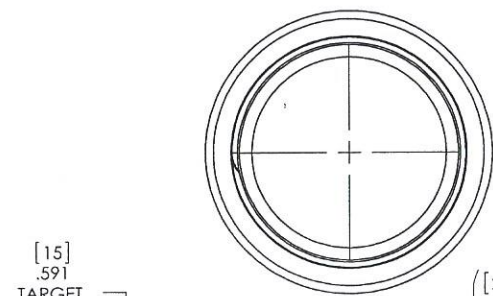
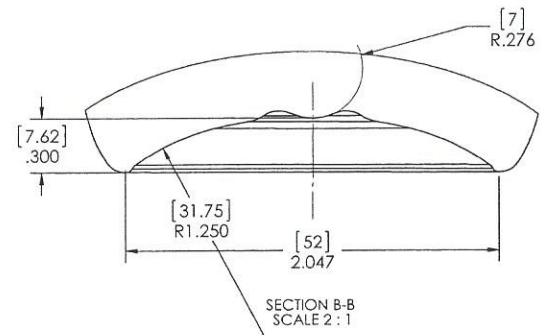
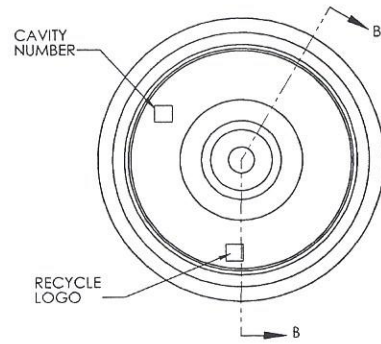
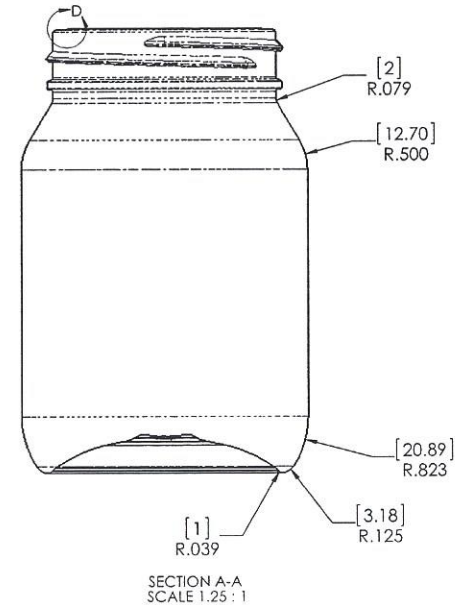
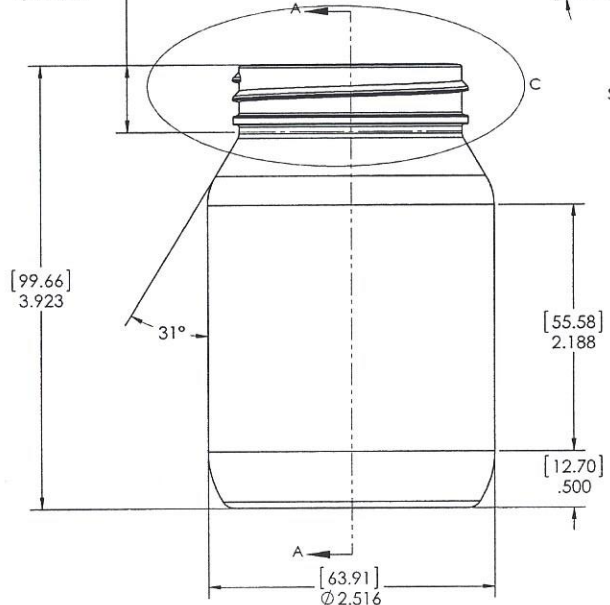
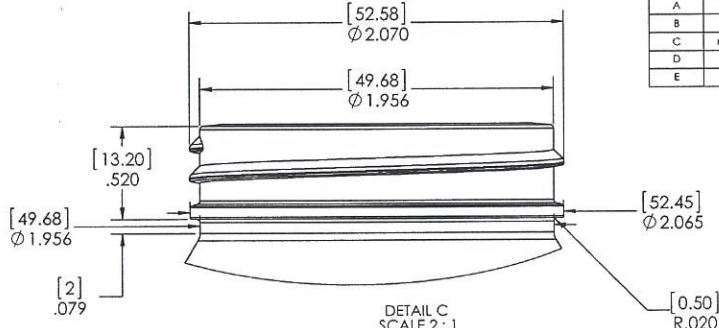
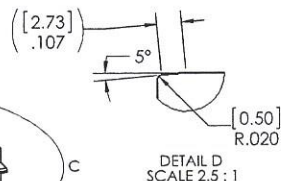


REVISIONS			
REV.	DESCRIPTION	DATE	APPROVED
A	revised	11/26/12	
B	revised	11/30/12	
C	revised thread information based on info received	11-28/2012	KDL
D	revised base shape	12/3/2012	KDL
E	ribs removed from base per customer request	12/7/2012	KDL



[15]  
.591  
TARGET  
FILL POINT  
8-FL.OZ.



CUSTOMER APPROVAL

SIGNED: \_\_\_\_\_

DATE: \_\_\_\_\_

- NOTES:  
1. DIMENSIONS AND WEIGHT ARE SUBJECT TO CHANGE WITH FINAL VOLUMETRIC CALCULATIONS.  
2. FINAL VOLUME TOLERANCE TO BE DEFINED BY MFG. DATA.

FILLPOINT VOLUME= 236.6-ML / 8.0-FL.OZ.  
OVERFLOW VOLUME = 265.5-ML / 8.9-FL.OZ.  
PROPOSED PREFORM 0918-10-PD-B-05 31-GRAM  
REF. 3 D MODEL FILE 1531-13-BD-C-05  
MATERIAL PET  
FINISH 53MM SP400

PROPRIETARY AND CONFIDENTIAL  
THE INFORMATION CONTAINED IN THIS DRAWING IS THE SOLE PROPERTY OF DEVTECH LABS, INC., ANY REPRODUCTION IN PART OR AS A WHOLE WITHOUT THE WRITTEN PERMISSION OF DEVTECH LABS, INC. IS PROHIBITED.  
NAME DATE  
DRAWN D. CONNOR 11/28/2012  
CHECKED  
ENG APPR. KLUFFEN 12-4-12  
MFG APPR.  
DO NOT SCALE DRAWING G.A.

TITLE:  
8-OUNCE 53MM SP400  
BLOW TRIM BOTTLE

SIZE DWG. NO. REV  
C 1531-13-BD-C-05 E  
SCALE: 1:1 SHEET 1 OF 3