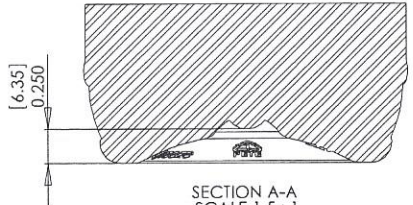
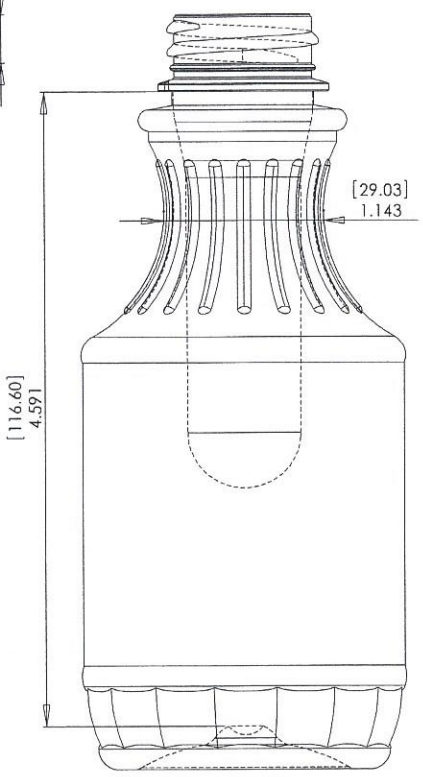
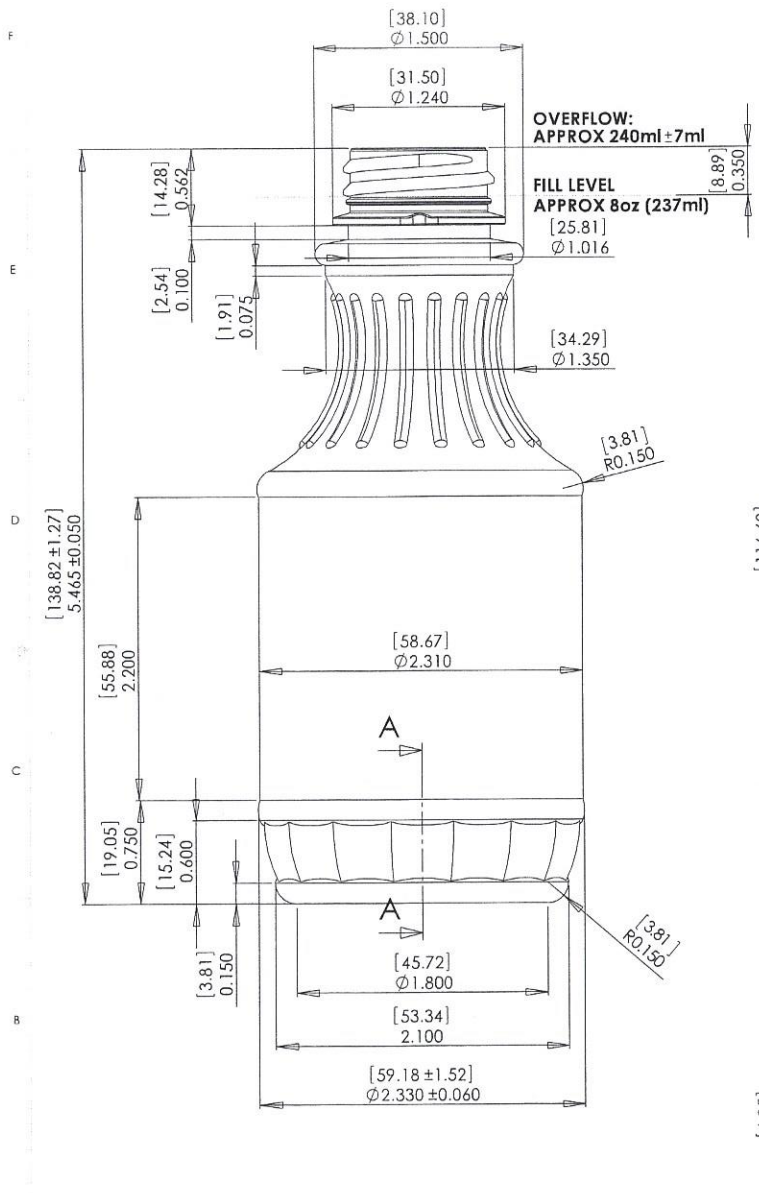
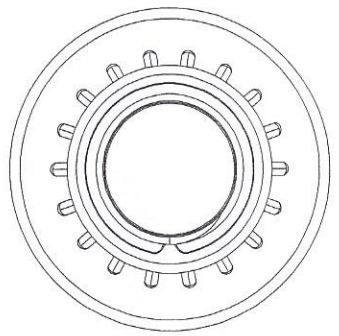


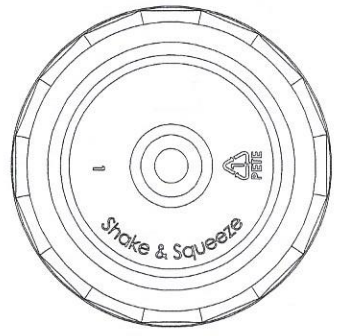
"T"	27.50+/-0.13 [1.083 +/- .005]
"T"	21.79 [858]
"E"	24.99 [984]
"HT"	12.27 [483]
"VH"	14.28+/-0.25 [562 +/- .010]
Support Ledge Diameter	31.50 [1.240]



VIEW FROM THE TOP



VIEW FROM THE BOTTOM



OCEAN STATE PACKAGING
 3311 South County Trail, East Greenwich, RI 02818
 TEL: (401) 884-4400 - FAX: (401) 884-4429

UNLESS OTHERWISE SPECIFIED:	NAME	DATE	OCEAN STATE PACKAGING, INC
DIMENSIONS ARE IN INCHES	DP	01MAY08	3311 South County Trail, East Greenwich, RI 02818
TOLERANCES:			TEL: (401) 884-4400 - FAX: (401) 884-4429
FRACTIONAL 1/64			TITLE:
TWO PLACE DECIMAL $\pm .015$			8oz SALAD DRESSING
THREE PLACE DECIMAL $\pm .004$			SIZE DWG. NO. PL-01-57-08
INTERPRET GEOMETRIC TOLERANCING PER:			SCALE: 1.5:1 WEIGHT: 22.0g SHEET 1 OF 1
MATERIAL			
PET			
APPLICATION	USED ON	FRESH	M/28 SP400
			DO NOT SCALE DRAWING

8oz SALAD DRESSING

SIZE DWG. NO. PL-01-57-08
 SCALE: 1.5:1 WEIGHT: 22.0g SHEET 1 OF 1