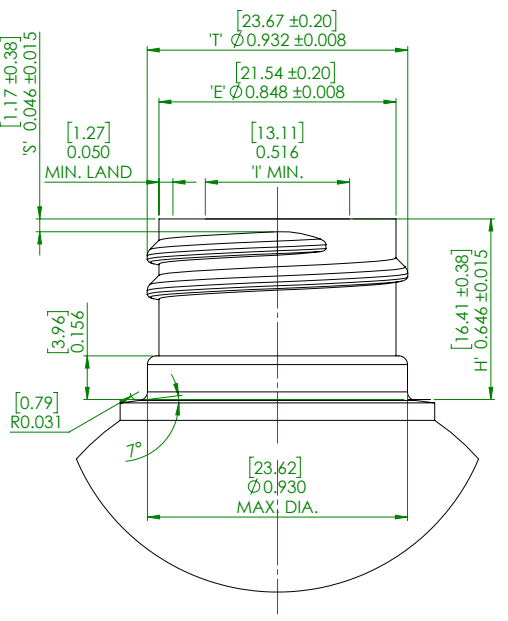
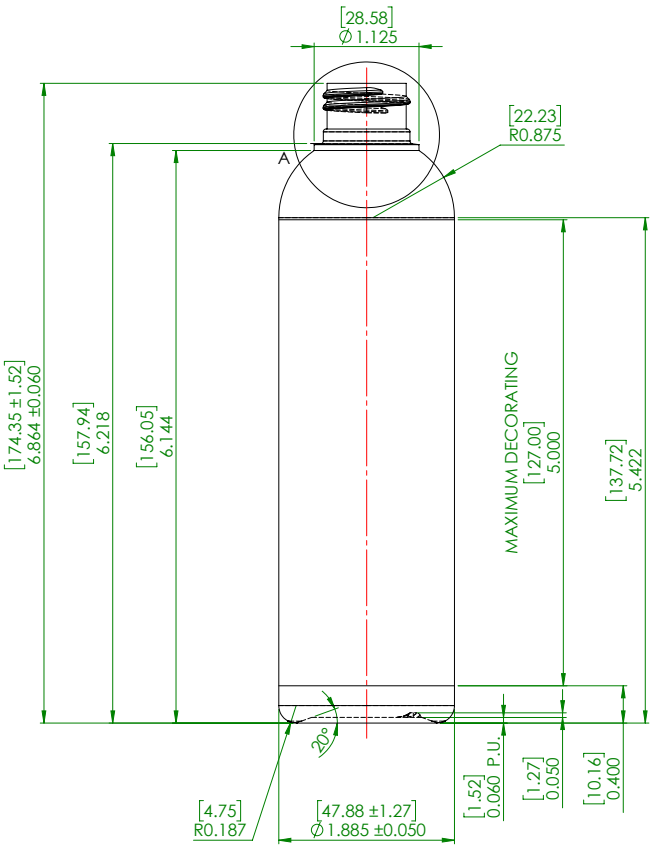
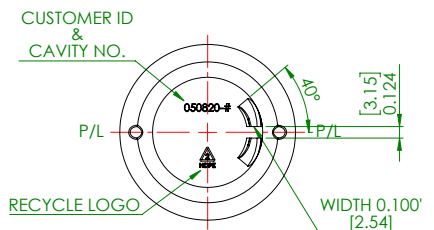


REVISIONS		
NO.	BY	DESCRIPTION



DETAIL A  
SCALE 3 : 1

**M24-SP410 FINISH**



**TEMPORARY DRAWING-NOT RELEASED FOR PRODUCTION**  
 THIS IS A SUGGESTED DESIGN FOR CUSTOMER APPROVAL.  
 FINAL SIZES AND VOLUME ARE SUBJECT TO MOULDING  
 SPECIFICATIONS AND PRODUCTION QUALIFICATIONS.

DRAWING CHECKED SPECIFICALLY FOR: NECK FINISH .....	CAPACITY TO FILL LEVEL: 227.3 $\pm$ 7cc	
	OVERFLOW CAPACITY: 256.6 $\pm$ 7cc	
WEIGHT .....	NECK FINISH: M24-SP410	WEIGHT: 21 $\pm$ 1g
CAPACITY .....	DRAWN BY: CML	DESC. 8 OZ COSMO ROUND
MATERIAL .....	SCALE: DATE: MAY, 13/20	DRAWING NO. 42542-P
SPECIAL REQUESTS .....	BOTTLE MAT'L: HDPE	MOULD NO. 42542
PRODUCT DESIGN TO BE APPROVED BEFORE MOULD CAVITIES ARE MACHINED.	CAD NAME: PD	
APPROVED BY .....		
DATE .....		
This drawing subject to standard industry tolerances S.P.L.		