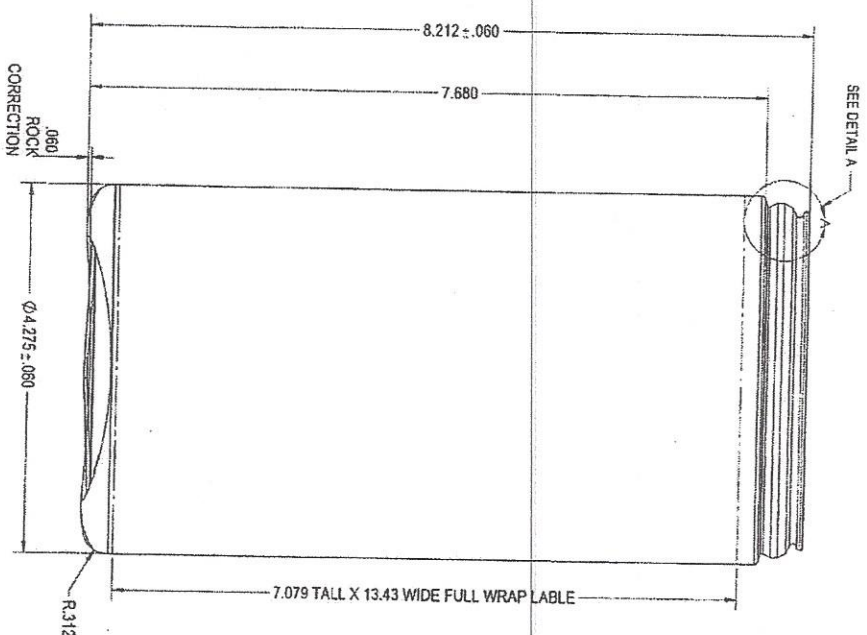
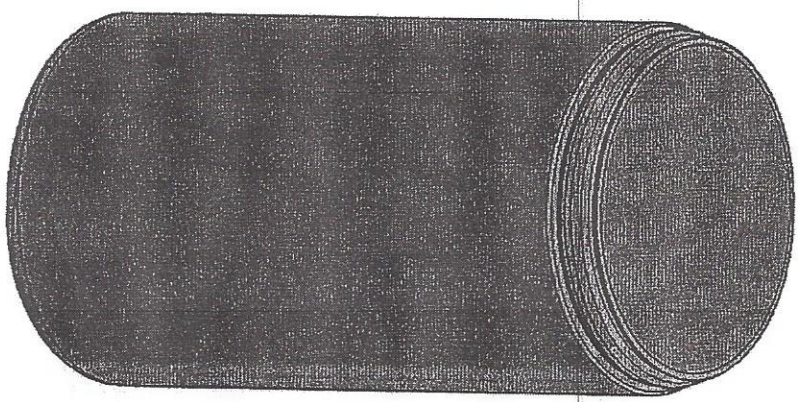
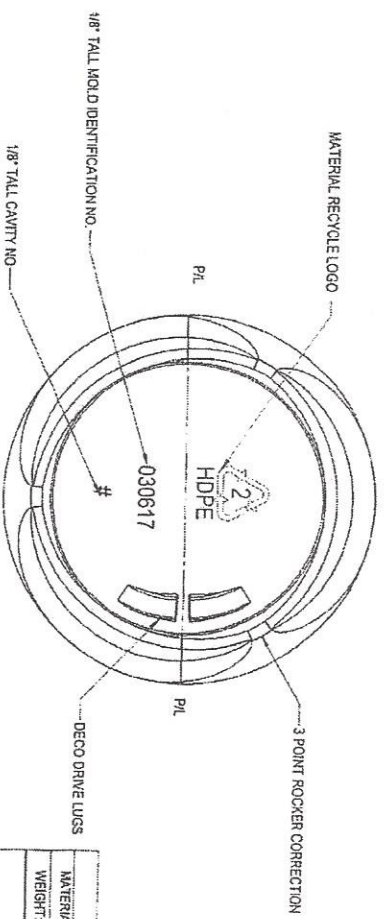
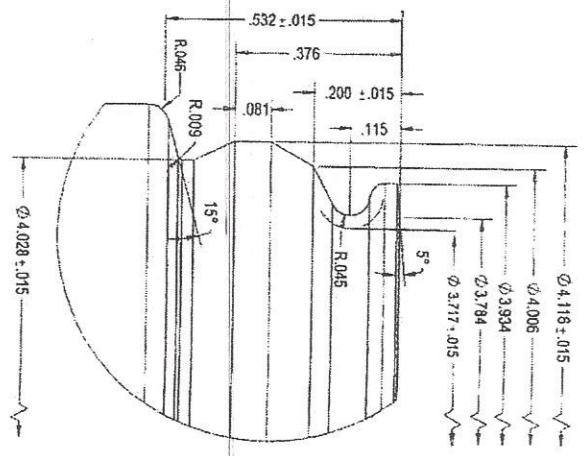


NO.	REV BY	DESCRIPTION	DATE
1	A.P.	MOLD LD NO CHANGE	03/09/17



DETAIL A
SCALE 5:1



NOTE:

CAVITY NUMBERS SHOULD BE 5 TO 10

DSP
DLK
3/13/17
JRP

DWN. BY: A.P.	DATE: 03/03/2017	DESCRIPTION: 105 CANISTER NECK 1A
APR. BY:	DATE:	DRAWING NO.: C93-4186-1-1B
SCALE: 1:1		
BOTTLE SPECIFICATIONS		
MATERIAL: HDPE	FILL CAPACITY: N/A	
WEIGHT: 70.335GM	GR. CAPACITY: 189ML ± 24ML	