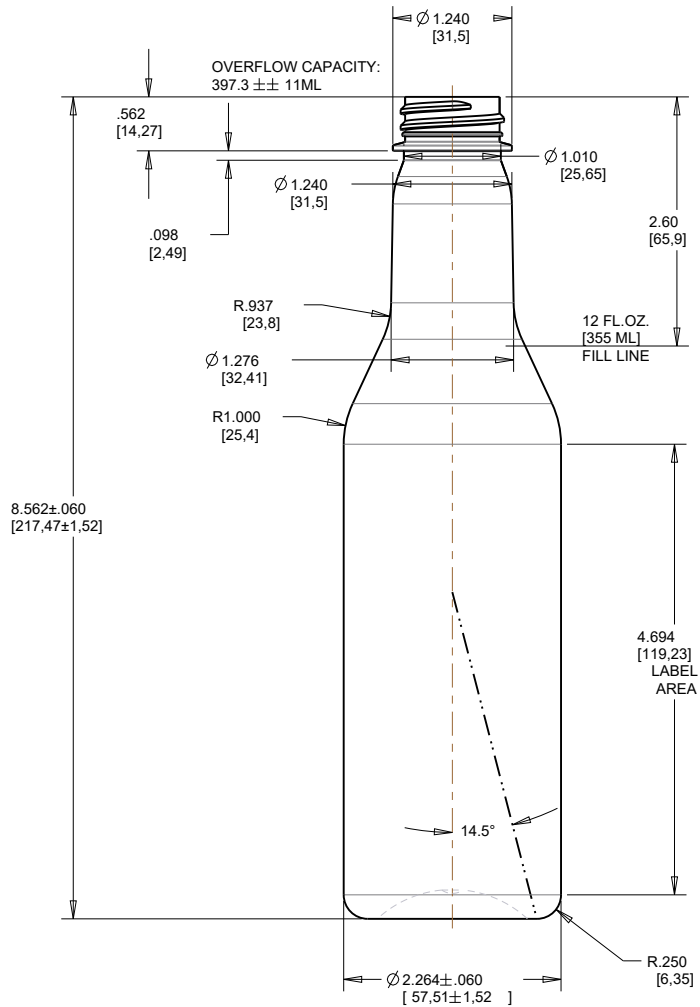
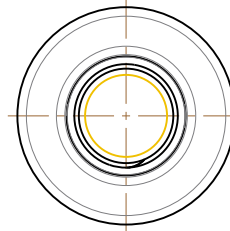


M28SP400 NECK FINISH	
"T"	27.38±0.13 [1.078±.010]
"E"	24.99 [.984]
"I"	21.79 [.858]
"S"	
"H"	12.26 [.483]
"VH"	13.72±.25 [.540±.010]
SUPPORT LEDGE DIAMETER	31.50 [1.240]

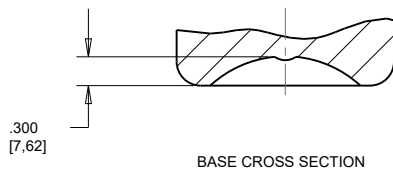
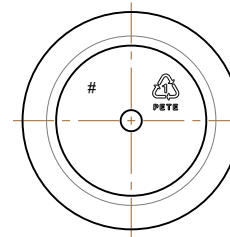
REV	DATE	DESCRIPTION	DWN BY	APPR
A	10/11/19	ADDED OFC. NOTES AND DIMS	KSN	



VIEW FROM TOP



VIEW FROM BOTTOM



UNLESS OTHERWISE SPECIFIED:		NAME	DATE	TITLE:	
STABILIZATION ANGLES:	14.5°	DRAWN	KSN	10/10/19	12 OZ. WINE
		CHECKED			
		ENG APPR.			
		MFG APPR.			
HALF DEVELOPED LENGTH:	9.214	Q.A.			COMMENTS:
MAX. DIAMETER OR DIAGONAL:					
MATERIAL	PETE			SIZE	DWG. NO.
FINISH	28-400			C	SS-1521-MG
DO NOT SCALE DRAWING				REV	A
				SCALE:	WEIGHT: 30.0 G.
				SHEET 1 OF 1	