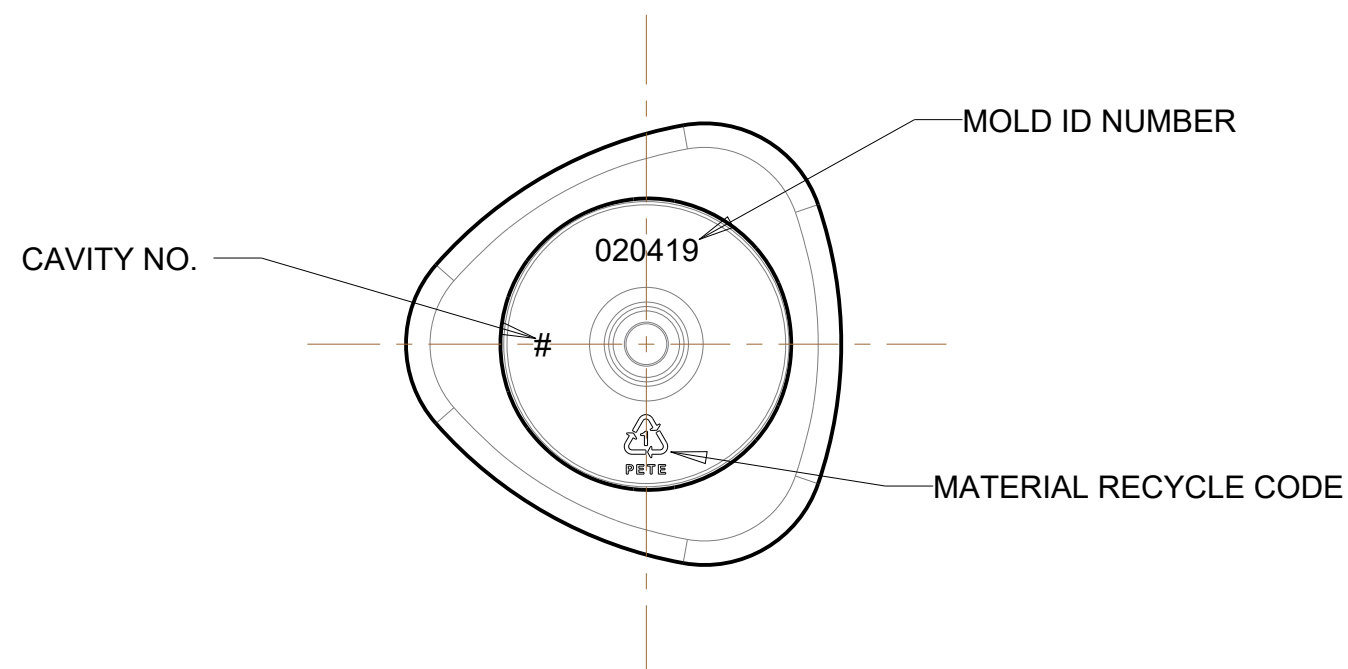
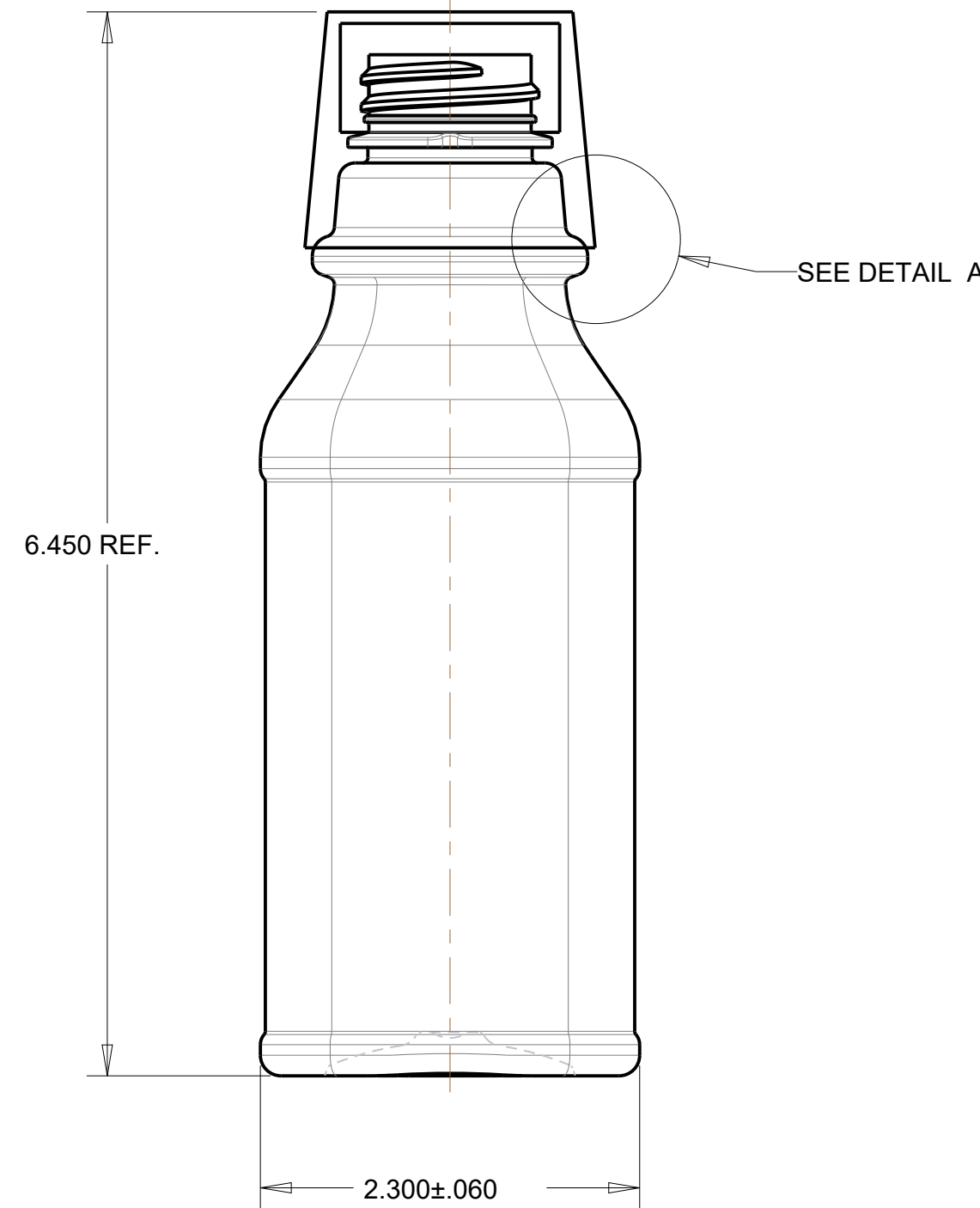
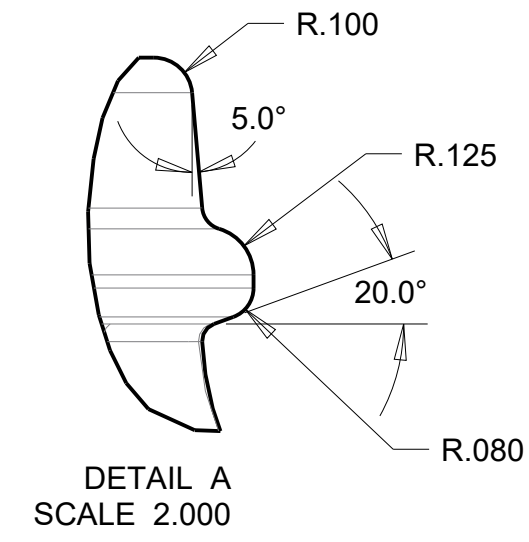
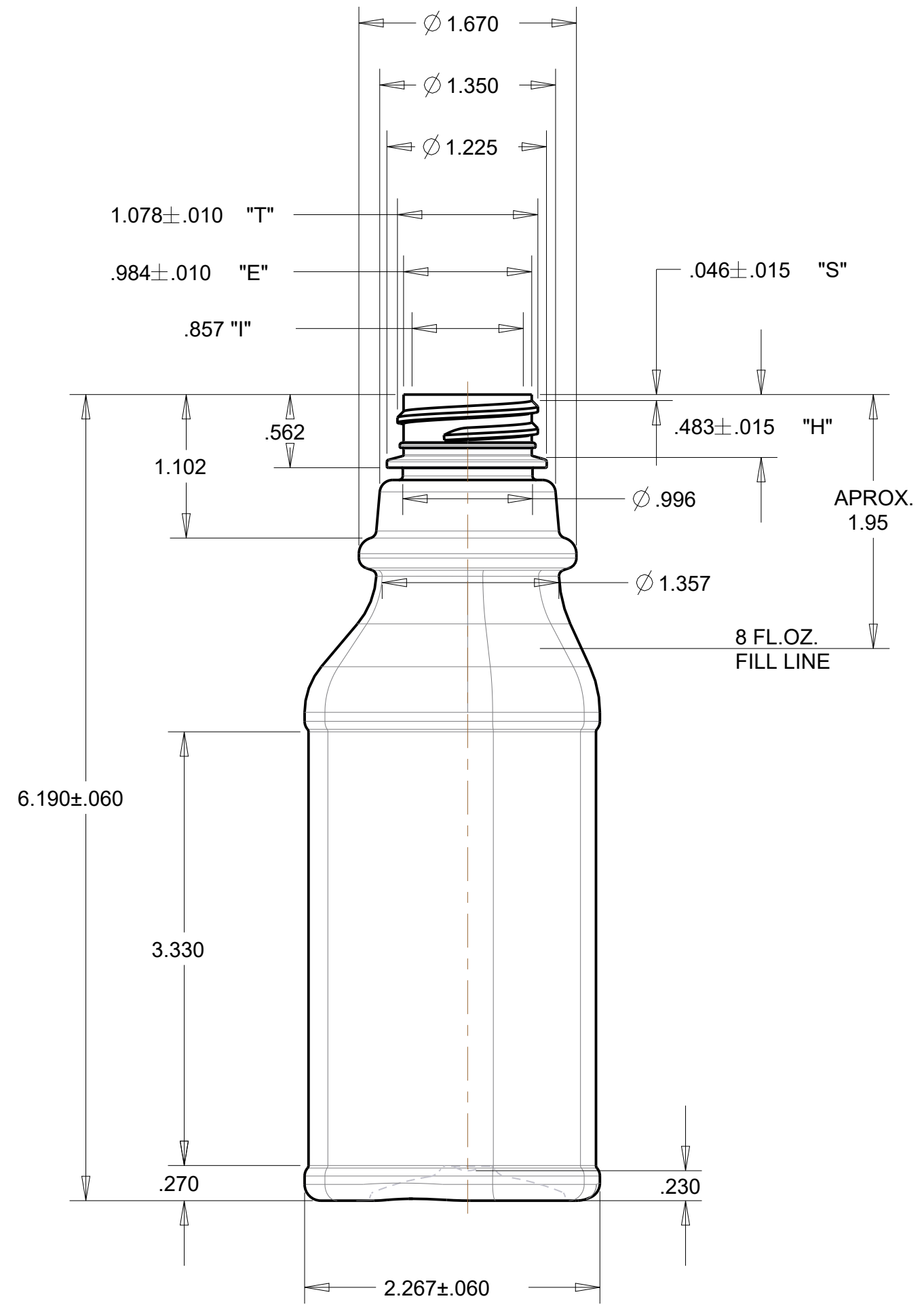


DATE	SYM	REVISION RECORD	AUTH	DR	CK



- NOTES:
1. NECK FINISH- 28-400
 2. MATERIAL- PETE
 3. BOTTLE WEIGHT- 33 ± 1.5 GRAMS
 3. OVERFLOW CAPACITY- 276.0 ± 7 ML

TOLERANCES (EXCEPT AS NOTED)				OCEAN STATE PACKAGING	
EXTRUSION AND INJECTION BLOW MOLDED BOTTLES				MOLD NO	
DECIMAL	MATERIAL	SCALE	DRAWN BY		
S.P.I.	PETE	FULL	KSN		
FRACTIONAL	TITLE		APPROVED BY		
S.P.I.	8 OZ. TRIANGULAR				
ANGULAR	DATE	DRAWING NUMBER	REVISION		
S.P.I.	2/9/19	SS-1483-OS			