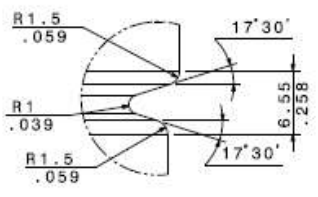
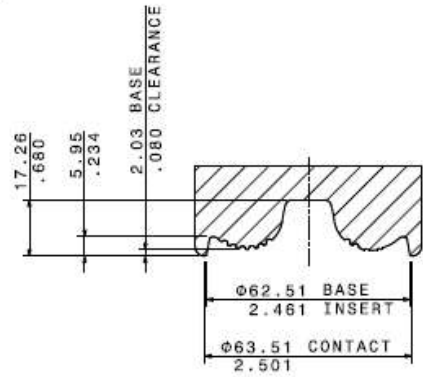


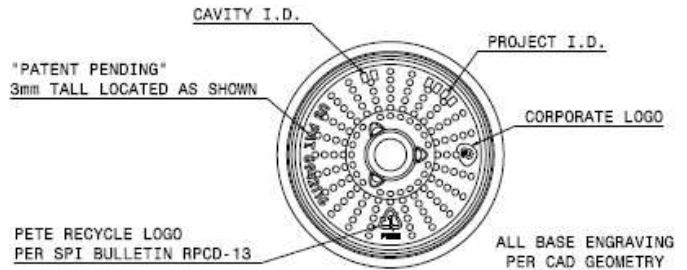
Front view  
Scale: 1:1



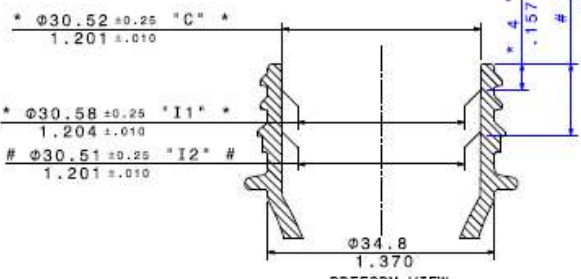
Detail B  
Scale: 3:1



Section cut A-A  
Scale: 1:1



Bottom view  
Scale: 1:1



PREFORM VIEW  
P-3577-PD  
Scale: 2:1

ALTERNATIVE PREFORMS

DESCRIPTION	TARGET OVERFLOW	MAT'L VOLUME IN BODY	AVG. WALL THICKNESS	PREFORM DRAWING	FINISH DRAWING	CONTAINER HEIGHT
37.1gm 38mm	528 ± 11 ml	21.95 cc	0.52mm/.020"	P-3210-PD	F-3063-PD	186.47mm/7.341"
40.0g PREFORM	528 ± 11 ml	23.3 cc	0.56mm/.022"	P-3831-PD	F-3220-PD	186.47mm/7.341"

hot fillable PET beverage containers may be protected by, but not limited to, one or more of these U.S. patents:

6,837,390 6,942,116 7,150,372  
7,377,399 7,451,886 7,887,315 B2

REV	DESCRIPTION	DATE	BY	APP'D
B	CORRECTED BASE R19S	04MAR08	SS	20407284-015
C	ADDED NEW PREFORM PREFORM, TOLERANCE TO NECK DIA. DIMENSION	30JUN08	PM	11840307014-007
D	Updated base push-up to C-4327-ES8	30OCT09	WS	11840307394-000
E	UPDATED PUSHUP	23MAY11	NDH	118403071160-003
F	ADJUSTED NECK RADIUS / PUSHUP DIA	16SEP11	NDH	118403071160-002
G	ADDED P-3831-PD TO ALTERNATE PREFORMS	19MAR12	JMS	118403072000-007

Notes:

- Dimensions are nominal in millimeters/inches.
- The "As Delivered" specifications apply to containers at the time of delivery to the customer. This assumes that the bottles have been produced, stored, and transported in accordance with agreed Good Manufacturing Practices as defined in SOP-008 and associated standards.
- The dimensional tolerances to be applied to all height dimensions are the same as the tolerance applied to the Overall Height of the container.
- The dimensional tolerances to be applied to all diameter, width and thickness dimensions are the same as the tolerance applied to the major diameter or width of the container.
- Overflow is based on the target capacity of water at its density when heated to 85°C / 185°F, incorporating headspace, tolerances, and expected water loss over shelf life.
- Minimum fill level: Bottom of support flange.
- Maximum fill temperature: 85°C / 185°F.
- The weight shown in the drawing is based on the design weight of the preferred preform. Actual weights may vary if other suitable preforms are used.
- Toleranced dimensions marked with "\*" are used in ongoing manufacturing control and those marked with "H" are used only for initial qualification.
- For Active Hinge containers, the overall and label panel height dimensions are shown as delivered. Based on fill conditions, a reduction in overall and label panel heights is possible post-tilt.

**CONFIDENTIAL**

Capacity Specification

Overflow Capacity	528 ± 11 ml
-------------------	-------------


Volume & Weight Information

Calculated Overflow Capacity:		Calculated Fill Line Capacity:	
ml		ml	
528.4		514	
Total Mat'l Vol.:	26.9 cc	Material:	PET
Mat'l Vol. in Cont. Body:	21.1 cc	Container Target Weight:	37.0 ± 0.4 gm
Mat'l Vol. in Finish:	5.8 cc	Container Body Weight:	28.9 gm
Surface Area Below Neck Finish:	415.4 sq.cm	Finish Weight:	7.8 gm
		Avg. Wall Thickness:	.020"/0.51 mm

Drawing Information

Preform Drawing:	Finish Drawing:	Reference Drawing:
P-3577-PD	F-3220-PD	C-3537-ES3-B
Date:	Drawn By:	Customer:
25FEB08	SS	

Title: 500ml PowerFlex Stock Dome

 Drawing Type: **PRODUCT DRAWING**  
 Drawing Number: **C-4804-PD** Rev: **G**

**CONFIDENTIAL**

3D CAD IS THE MASTER MODEL FOR THIS PRODUCT

THIS DOCUMENT IS EXCLUSIVE PROPERTY OF THE INFORMATION CONTAINED HEREIN, AND ANY MODEL CONTAINER, PREFORM OR OTHER ARTICLE RECEIVED, IS OF A CONFIDENTIAL AND PROPRIETARY NATURE AND MUST BE USED ONLY FOR THE PURPOSE FOR WHICH IT IS DISCLOSED. THE HOLDER AGREES NOT TO DISCLOSE TO A THIRD PARTY AND TO RETURN THE SAME UPON COMPLETION OF USE OR REQUEST. THIS DRAWING IS NO LONGER A CONTROLLED DOCUMENT WITHIN DO NOT ASSUME THAT THIS IS THE CURRENT DRAWING.