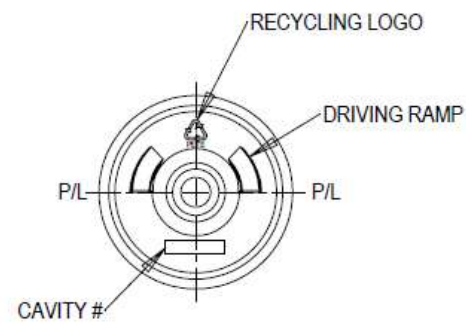
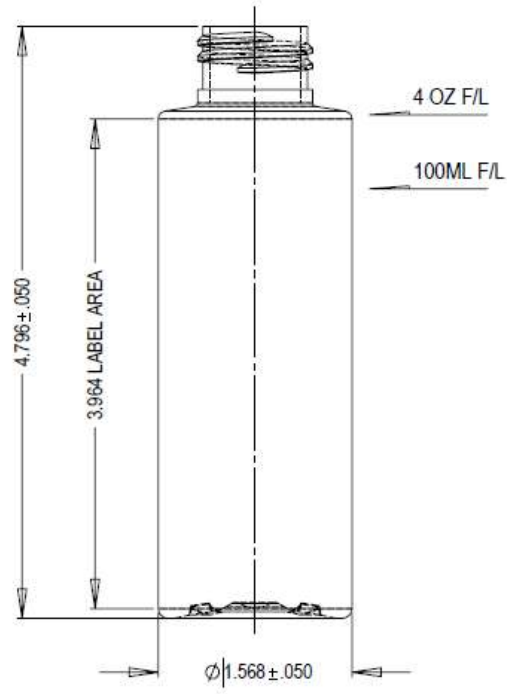


NECK FINISH	"T"	"E"	"H"	"L"	"S"	"T"	HELIX ANG.	CUTTER DIA.	T.P.I.	PITCH	THREAD TURNS
M24 SP410	932 ±.008	848 ±.008	646 ±.015	512MIN	.046 ±.015	.732	2°34'	.375	8	.125	2

NO.	REV. BY	DESCRIPTION	DATE



THIS DRAWING CONTAINS PROPRIETARY INFORMATION  
 EITHER THIS DRAWING OR  
 ITS CONTENTS MAY NOT BE REPRODUCED IN ANY FORM, FOR ANY  
 PURPOSE, UNLESS WRITTEN CONSENT IS GIVEN

BOTTLE SPECIFICATIONS	
MATERIAL: PETE	FILL CAPACITY: 118ML ±5ML
WEIGHT: 11g ±1g	OVERFLOW CAPACITY: 128ML ±5ML
DWN. BY: Y.F.	DATE: 05/01/11
APR. BY:	DATE:
SCALE: 1:1	DESCRIPTION: 4 oz CYLINDER
DRAWING NO: CPG-1124-A-V02-R01	