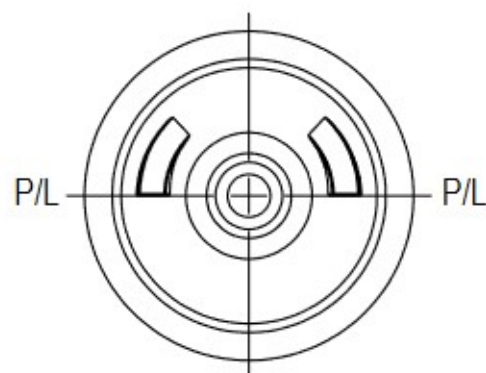


AVAILABLE:

1. SKU#100164, CLEAR
2. SKU#100172, AMBER (131-20-40925)

THIS DRAWING CONTAINS PROPRIETARY INFORMATION
NEITHER THIS DRAWING OR ITS CONTENTS
REPRODUCED IN ANY FORM. FOR ANY PURPOSE, UNLESS WRITTEN
IS GIVEN



BOTTLE SPECIFICATIONS		
MATERIAL: PETE	FILL CAPACITY:	118ML ±5M
WEIGHT: 15g ±1g	OVERFLOW CAPACITY:	125ML ±5M
DWN. BY: Y.F.	DATE: 16/01/11	DESCRIPTION: 4 OZ BOSTON F
APR. BY:	DATE:	DRAWING NO: CPG-1158-A-V0
SCALE: 1:1		